

D 3/4" Tweeter

Type Number: D19SD-05-08

Features:

Driver Highlights: 3/4" dome tweeter, plastic diaphragm, ferrofluid, magnetically shielded



Specs:

Electrical Data

Nominal impedance	Zn	8	ohm
Minimum impedance	Zmin	--	ohm
Maximum impedance	Zo	--	ohm
DC resistance	Re	6.2	ohm
Voice coil inductance	Le	--	mH

T-S Parameters

Resonance Frequency	fs	1700	Hz
Mechanical Q factor	Qms	1.47	
Electrical Q factor	Qes	1.43	
Total Q factor	Qts	0.73	
Force factor	Bl	2.8	Tm
Mechanical resistance	Rms	--	Kg/s
Moving mass	Mms	0.18	g
Suspension compliance	Cms	--	mm/N
Effective cone diameter	D	--	cm
Effective piston area	Sd	4.2	cm ²
Equivalent volume	Vas	--	ltrs
Sensitivity (2.83V/1m)		89.5	dB

Power handling

Long-term Max Power (IEC 18.3)	350	W
Short Term Max power (IEC 18.2)	450	W

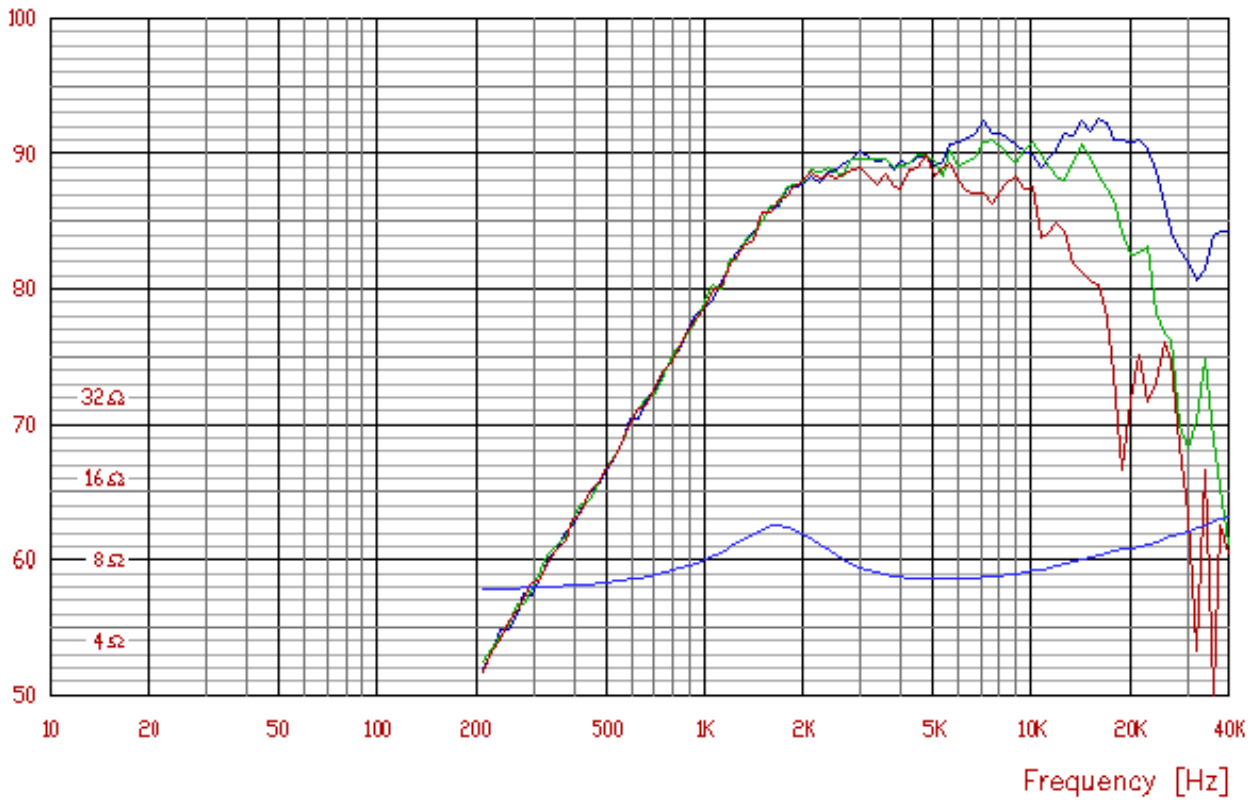
Voice Coil and Magnet Parameters

Voice coil diameter	19	mm
Voice coil height	1.4	mm
Voice coil layers	--	
Height of the gap	2	mm
Flux density of gap	--	mWb
Total useful flux	--	mWb
Diameter of magnet	--	mm
Height of magnet	--	mm
Weight of magnet	0.105	Kg

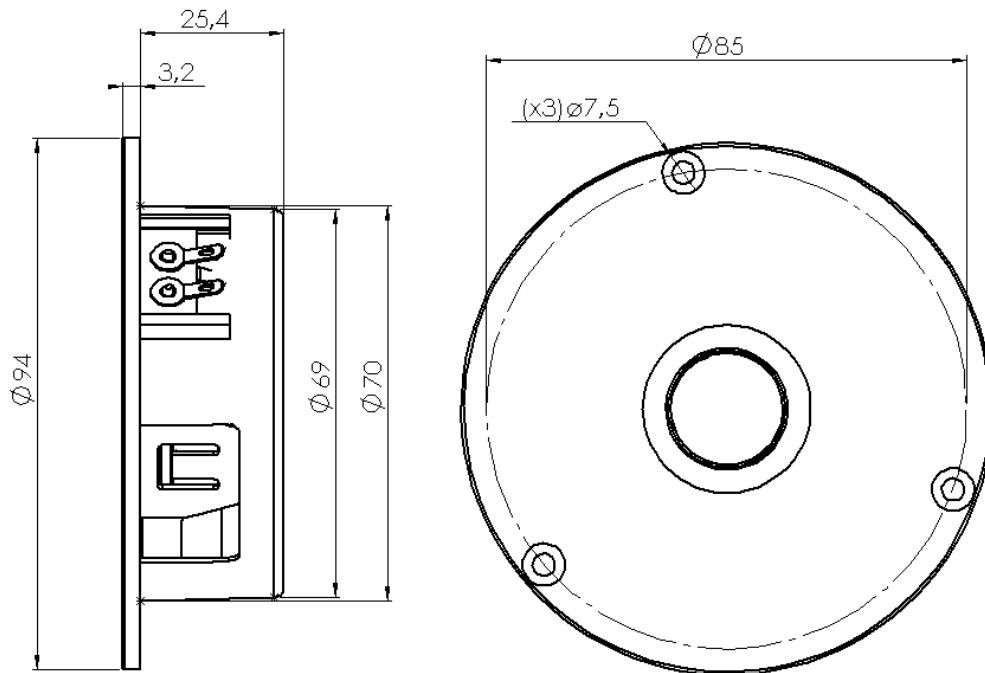
Notes:
IEC specs refer to IEC 60268-5 third edition.
All Tymphany products are RoHS compliant.

Frequency: D19SD-05-08

SPL [dB]



Mechanical Dimensions: D19SD-05-08



D19SD-05-08