

## FR10F

Visaton 10 cm (4") full-range loudspeaker (4622)

[BACK](#)

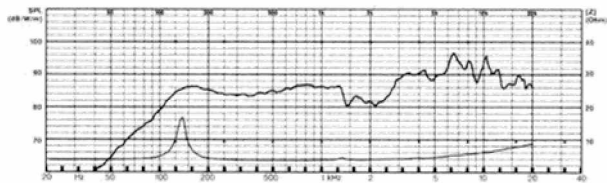


### General description

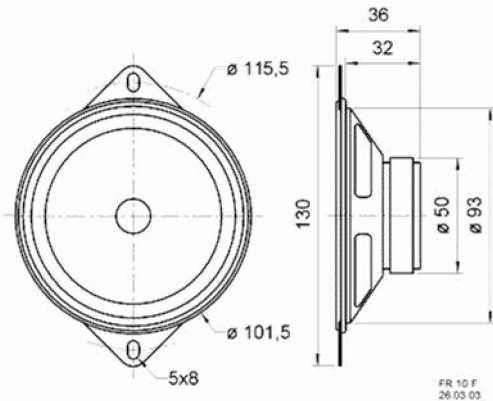
10 cm (4") full-range loudspeaker with two fixing lugs and shallow design. High degree of sound pressure and good high-range reproduction. Easy to fit in vehicles with 10 cm loudspeaker mounts, in particular e.g. in mobile homes.

### Technical Data:

Rated power	20 Watt
Maximum power	30 Watt
Nominal impedance	4 Ohm
Frequency response (-10 dB)	100 - 22000 Hz
Mean sound pressure level	86 dB (1W/1m)
Resonance frequency $f_s$	133 Hz
Height of front pole-plate	3 mm
Voice coil diameter	14 mm
Cutout diameter	94 mm
Net weight	200 g
D.C. resistance $R_{dc}$	3,7 Ohm
Mechanical Q factor $Q_{ms}$	6,5
Electrical Q factor $Q_{es}$	1,99
Total Q factor $Q_{ts}$	1,52
Equivalent volume $V_{as}$	2,2 l
Effective piston area $S_d$	52 cm <sup>2</sup>
Dynamically moved mass $M_{ms}$	2,4 g
Force factor $B_{xl}$	1,69 Tm
Inductance of the voice coil L	0,35 mH



frequency response



FR 10 F  
26.03.03