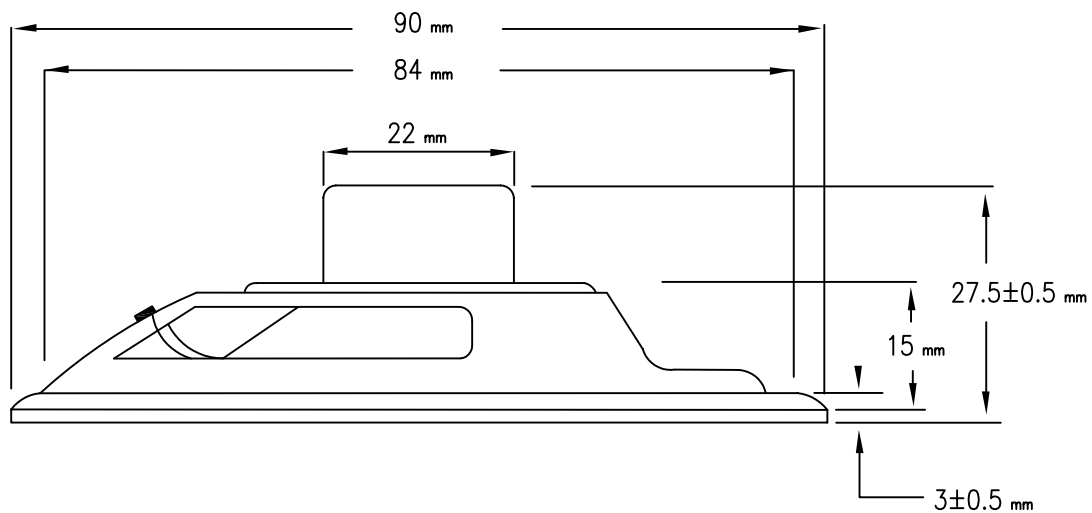
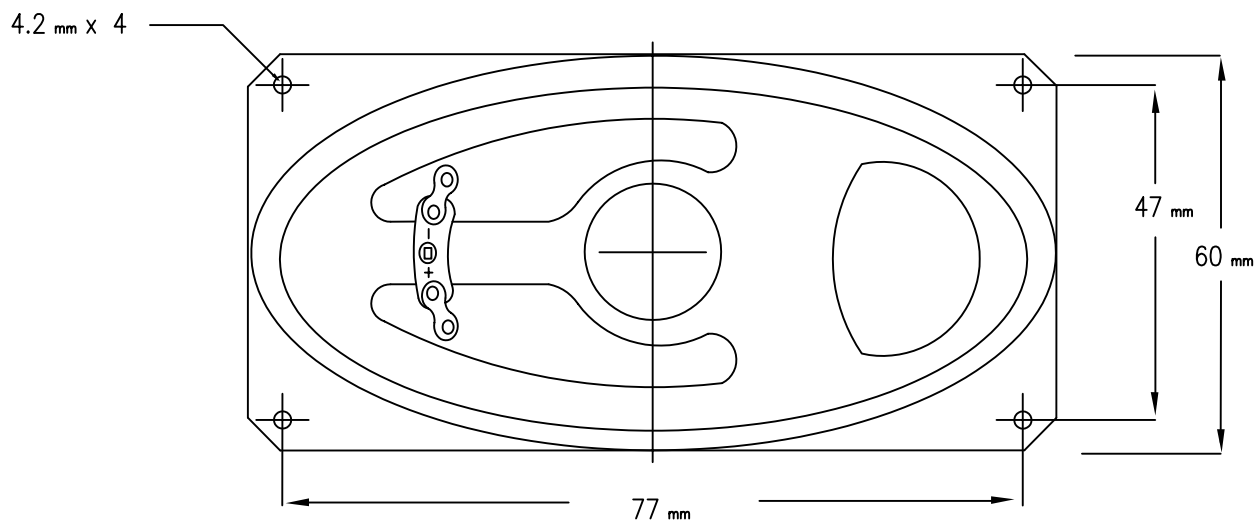



CUI INC
**9615 SW Allen, Suite 103
Beaverton, OR 97005
Phone: (503) 643-4899
800-275-4899
Fax: (503) 372-1266
Website: www.cui.com**

Specifications

| | | | | | |
|----|--------------------|---------------------------------------|------------------------|----------|--|
| 1 | Part No. | GA0929 | | | |
| 2 | Nominal Size | 60 X 90 mm. | 2 1/2 X 3 1/2" | inch | |
| 3 | Impedance | 8 Ω ± 15% | at 800 Hz. | 1 V. | |
| 4 | Resonance | 300 Hz.± 60 Hz. | FO Hz. | 1 V. | |
| 5 | S.P. Level | 91 dB/w ± 3 dB | 1 w. 50 cm. average at | | |
| 6 | Response | fo Hz.~ 15K Hz. MAX 10dB | 600, 800, 1K, 1.2K Hz. | | |
| 7 | Crossover Freq. | Hz. Hz. | dB/OCT | Net work | |
| 8 | Input Power | Nominal Input 1 w. | Handling Capacity 2 w. | | |
| 9 | Operation | Must be normal at program source 1 w. | | | |
| 10 | Buzz, Rattle, etc. | Must be normal at sine wave 2.83 v. | | | |
| 11 | Flux Density | Gauss ± 10% | | | |
| 12 | Total Flux | Max well min | | | |
| 13 | Magnet | Size 13 x 10 mm | gr | oz | |
| 14 | Total Weight | | gr | oz | |
| 15 | Load Test | After test meet item 9 and 10 | White noise 1 W. | 48 Hours | |
| 16 | Distortion | % MAX | Hz | W. | |
| 17 | Heat Test | After test meet item 9 and 10 | 70±2 ±°C 20-50 %R.H. | 48 Hours | |
| 18 | Humidity Test | After test meet item 9 and 10 | 40±2 ±°C 90-95 %R.H. | 48 Hours | |

| | | | |
|-----------|--------|----------|--------|
| PART NO. | GA0929 | UNITS: | mm |
| DRAWN BY: | | PAGE NO: | 1 of 2 |



9615 SW Allen, Suite 103
 Beaverton, OR 97005
 Phone: (503) 643-4899
 800-275-4899
 Fax: (503) 372-1266
 Website: www.cui.com

TITLE:

PART NO.

GA0929

UNITS:

mm

DRAWN BY:

Page No.

2 of 2