

FULL RANGE LOUDSPEAKER GD 30/100

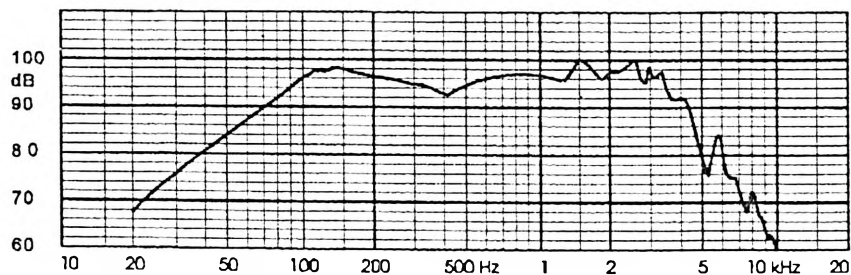
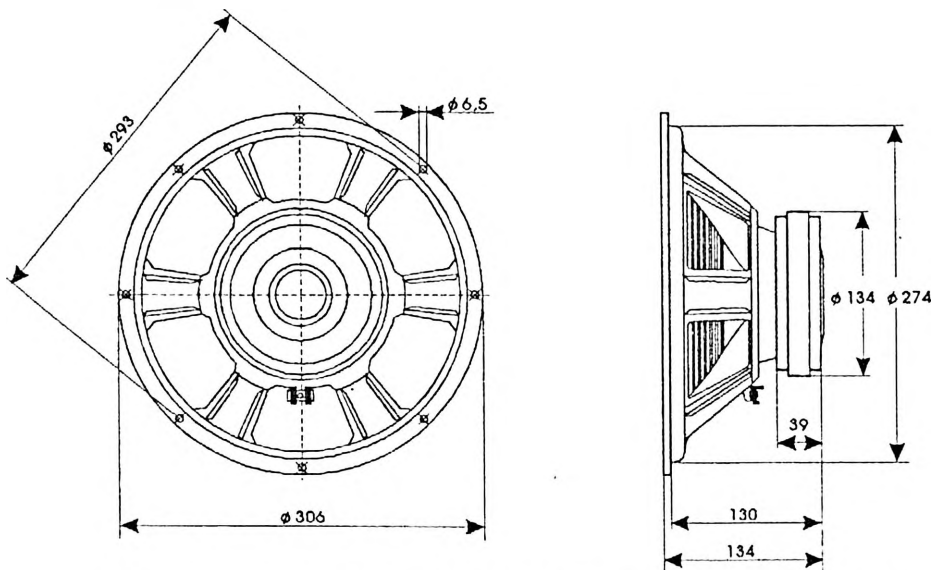
9 5157 088

TECHNICAL DATA

Rated impedance	4	8	Ω
Voice coil resistance	3,5	6,4	Ω
Rated frequency range	60 to 4000		Hz
Resonance frequency	75		Hz
Power handling capacity / loudspeaker unmounted , 100 h continuous /	100		W
Max. power	250		W
Sensitivity	97		dB
Flux density	1,1	1,15	T
Energy in air gap	580		mJ
Force factor - Bl	9	11,3	Tm
Piston area - S_D	0,049		m ²
Total moving mass - M_{MS}	0,034		kg
Compliance /loudspeaker unmounted/ - C_{MS}	$13,2 \times 10^{-5}$		m/N
Equivalent box volume - V_{AS}	0,044		m ³
Quality factor /loudspeaker unmounted/ - mechanical - Q_{MS}	3,40		
- electrical - Q_{ES}	0,74	0,82	
- total - Q_{TS}	0,61	0,66	
Air - gap	35/8/1,3	35/8/1,2	mm
Voice coil height	10,9	12,3	mm
Magnet	ferrite		
- material	134/59/19		mm
- dimensions	1,1		kg
- mass	3,7		kg
Mass of loudspeaker			

AVAILABLE VERSIONS

- GD 30/100 - 8 Ω , catalogue number 9 5157 088 01
- GD 30/100 - 4 Ω , catalogue number 9 5157 088 02



FREQUENCY RESPONSE CURVE

Measured in anechoic room at 1W/1m. Loudspeaker mounted on IEC baffle.