

FULL RANGE LOUDSPEAKER GD 5-9/4

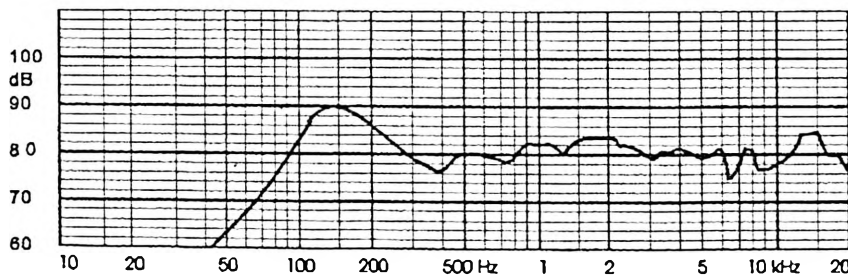
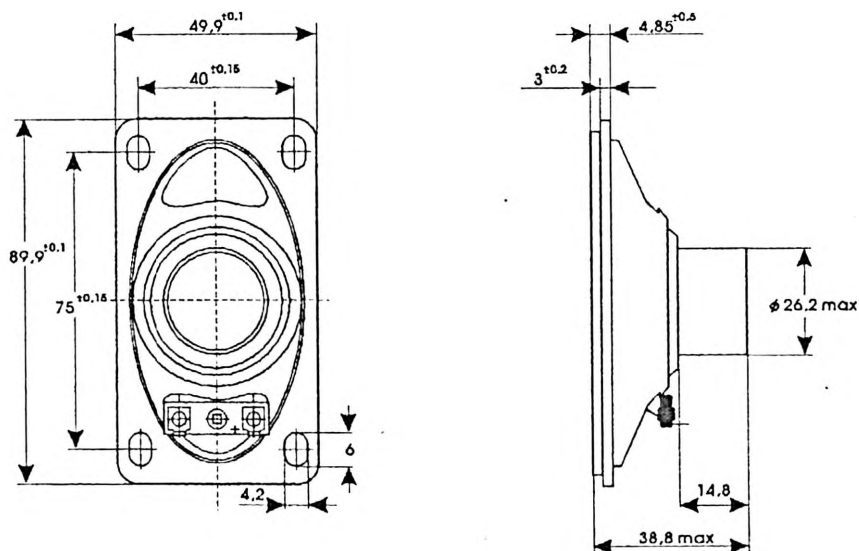
9 5111 040

TECHNICAL DATA

| | |
|--|--------------------------|
| Rated impedance | 8 Ω |
| Voice coil resistance | 7,2 Ω |
| Rated frequency range | 130 to 15000 Hz |
| Resonance frequency | 165 Hz |
| Power handling capacity / loudspeaker unmounted, 100 h continuous / | 4 W |
| Max. power | 5 W |
| Sensitivity | 80 dB |
| Flux density | 0,51 T |
| Energy in air gap | 16,4 mJ |
| Air - gap | 13,98/4,5/0,76 mm |
| Voice coil height | 4,8 mm |
| Magnet | |
| - material | cobalt |
| - dimensions | 13,98/13 mm |
| - mass | 14,4x10 ⁻³ kg |
| Mass of loudspeaker | 0,095 kg |

AVAILABLE VERSIONS

- GD 5-9/4 - 8 Ω , catalogue number 9 5111 040 01



FREQUENCY RESPONSE CURVE
Measured in anechoic room at 1W/1m. Loudspeaker mounted on IEC baffle.

POLAND - WRZEŚNIA



TEL (061) 4 36 94 14
TLX 0412758
FAX (061) 4 369419