

# FULL RANGE LOUDSPEAKER GD 5-9/6/1

9 5111 049

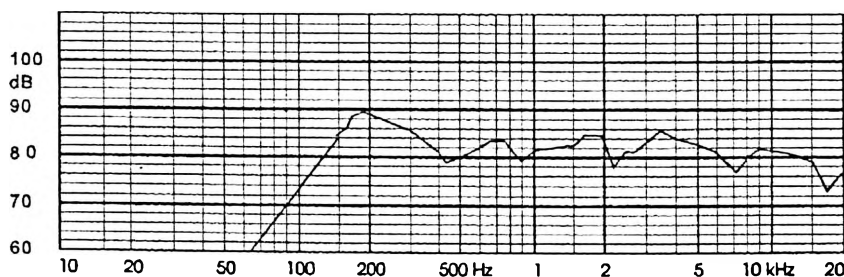
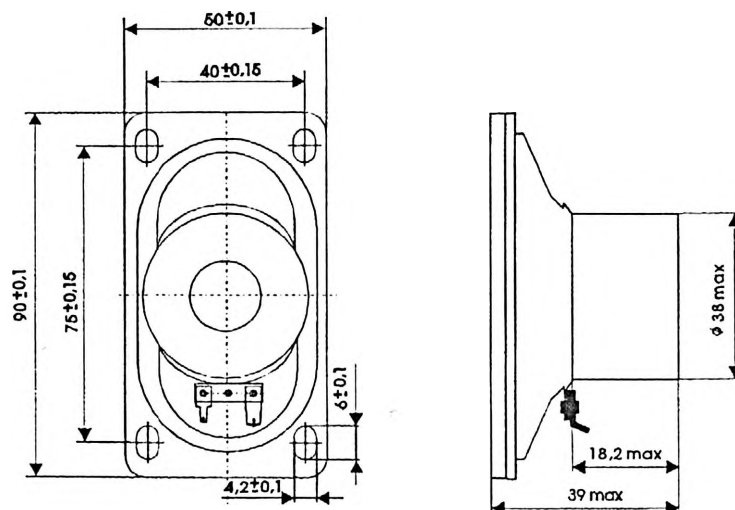
## TECHNICAL DATA

Rated impedance	8 $\Omega$
Voice coil resistance	7,2 $\Omega$
Rated frequency range	120 to 15000 Hz
Resonance frequency	180 Hz
Power handling capacity / loudspeaker unmounted , 100 h continuous /	6 W
Max. power	7 W
Sensitivity	82 dB
Flux density	0,6 T
Energy in air gap	29,27 mJ
Air - gap	14/2,5/0,8 mm
Voice coil height	4,6 mm
Magnet	
- material	ferrite
- dimensions	2x32/18/6 mm
- mass	2x0,017 kg
Mass of loudspeaker	0,13 kg

## AVAILABLE VERSIONS

- GD 5-9/6/1 - 8  $\Omega$  9511104903

Connection is by 5,2x0,5mm and 2,8x0,5mm tag connectors or by soldering.



FREQUENCY RESPONSE CURVE  
Measured in anechoic room at 1W/1m. Loudspeaker mounted  
on IEC baffle.