

# FULL RANGE LOUDSPEAKER GD 6/0,6 12

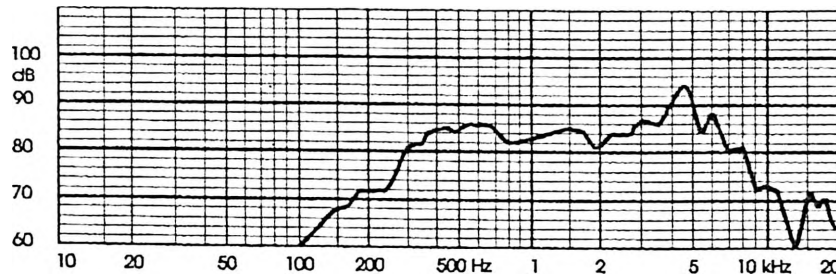
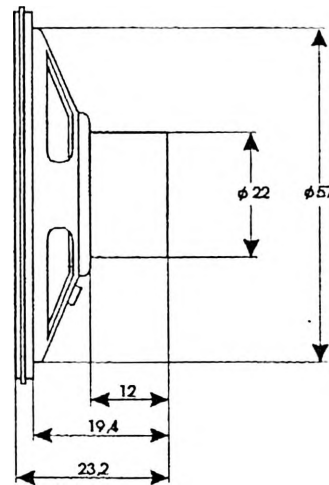
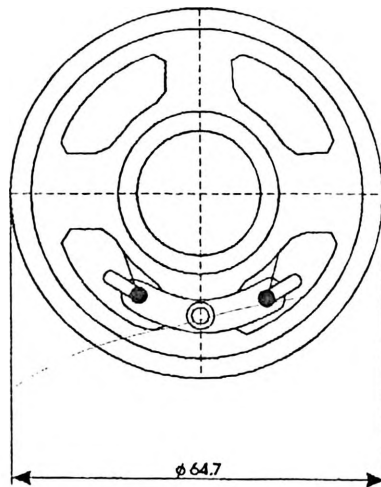
9 5115 007

## TECHNICAL DATA

Rated impedance	8 $\Omega$
Voice coil resistance	7,3 $\Omega$
Rated frequency range	230 to 5500 Hz
Resonance frequency	330 Hz
Power handling capacity / loudspeaker unmounted, 100h continuous/	0,6 W
Max. power	1 W
Sensitivity	88 dB
Flux density	0,53 T
Energy in air gap	11,5 mJ
Air - gap	13/4/0,6 mm
Voice coil height	4 mm
Magnet	
- material	cobalt
- dimensions	13 x 12 mm
- mass	$11,5 \times 10^{-3}$ kg
Mass of loudspeaker	0,08 kg

## AVAILABLE VERSIONS

- GD 6/0,6 - 8 $\Omega$ , catalogue number 9 5115 007 01
- GD 6/0,6/2 - 8 $\Omega$ , catalogue number 9 5115 008 01  
metallized dustcap



FREQUENCY RESPONSE CURVE  
Measured in anechoic room at 0,1W/0,5m. Loudspeaker mounted on IEC baffle.