

# WOOFER GDN 13/30/1

9 5151 180

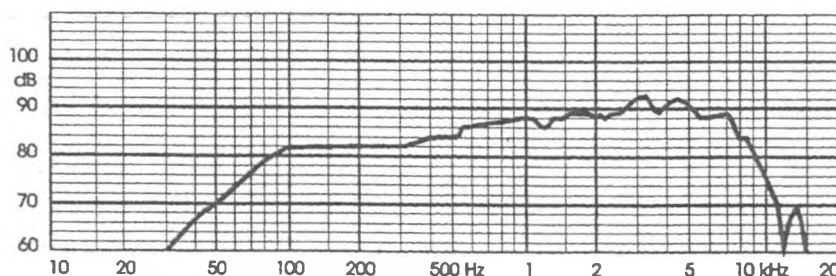
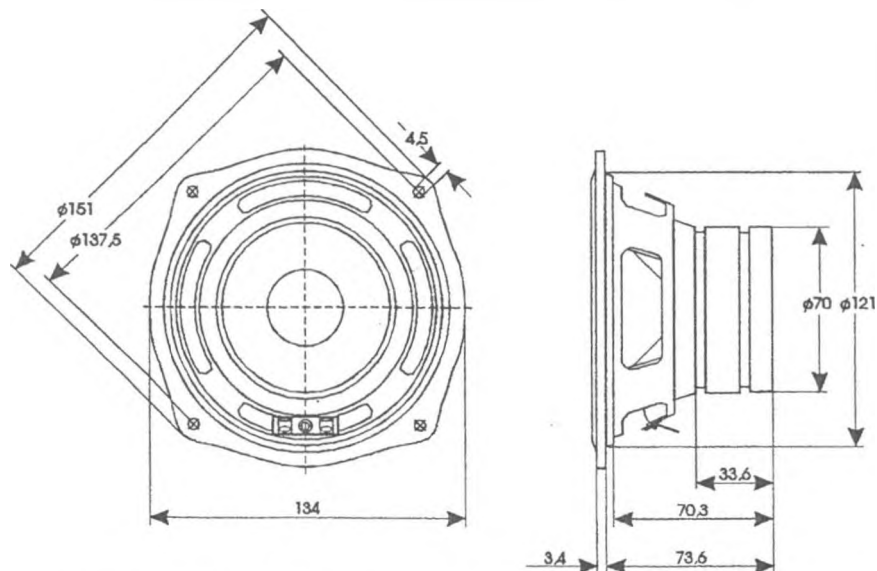
## TECHNICAL DATA

Rated impedance	4	Ω	
Voice coil resistance	3,45	Ω	
Rated frequency range	90 to 5000	Hz	
Resonance frequency	53	Hz	
Power handling capacity / enclosure 5 dm <sup>3</sup> , 100 h continuous /	30	W	
Max. power	60	W	
Sensitivity	86	dB	
Flux density	0,95	T	
Energy in air gap	152	mJ	
Force factor - Bl	4,4	Tm	
Piston area - S <sub>D</sub>	84 x 10 <sup>-4</sup>	m <sup>2</sup>	
Total moving mass - M <sub>MS</sub>	8,3 x 10 <sup>-3</sup>	kg	
Compliance /loudspeaker unmounted/ - C <sub>MS</sub>	1,05 x 10 <sup>-3</sup>	m/N	
Equivalent box volume - V <sub>AS</sub>	11 x 10 <sup>-3</sup>	m <sup>3</sup>	
Quality factor /loudspeaker unmounted/			
- mechanical - Q <sub>MS</sub>	4,63		
- electrical - Q <sub>ES</sub>	0,51		
- total - Q <sub>TS</sub>	0,46		
Air - gap	25/4,6/1,125	mm	
Voice coil height	9	mm	
Magnet			
- material		ferrite	
- dimensions	70/32/15	70/32/10	mm
- mass	0,23	0,15	kg
Mass of loudspeaker		0,8	kg

The loudspeaker has a polypropylene cone and a rubber surround.  
Connection is by 4,8 mm x 0,5 mm tag connectors or by soldering.

## AVAILABLE VERSIONS

- GDN 13/30/1 - 4Ω, catalogue number 9 5151 180 01 - black cone, plastic dust cap



FREQUENCY RESPONSE CURVE

Measured in anechoic room at 1W/1m. Loudspeaker mounted  
in sealed 5 dm<sup>3</sup> enclosure.