

WOOFER GDN 13/30/13

15/6

9 5151 149

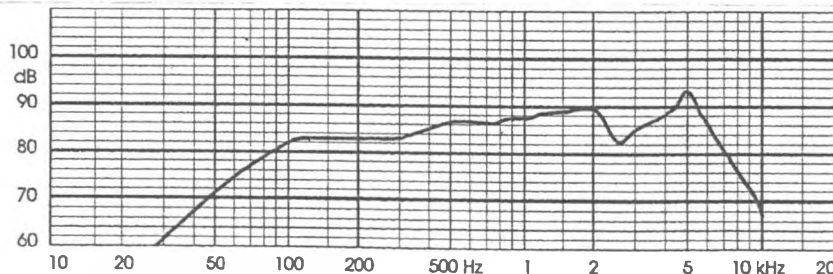
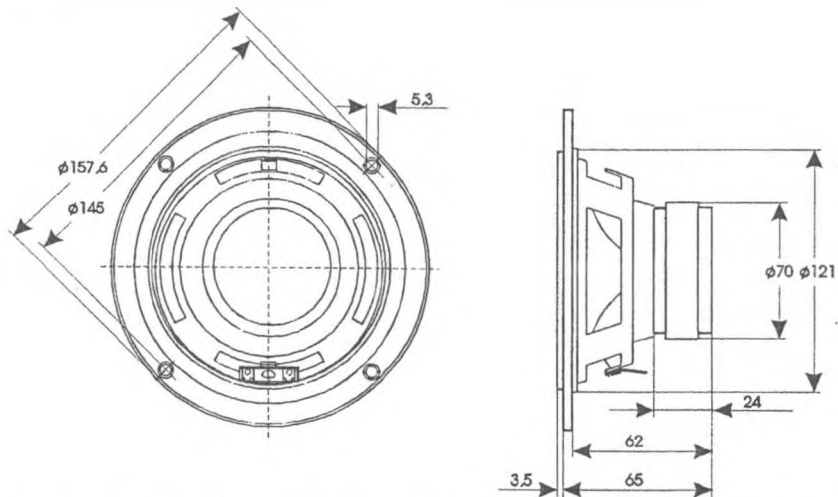
TECHNICAL DATA

Rated impedance	4	Ω
Voice coil resistance	3,45	Ω
Rated frequency range	100 to 4000	Hz
Resonance frequency	60	Hz
Power handling capacity / enclosure 5 dm ³ , 100 h continuous /	30	W
Max. power	60	W
Sensitivity	85	dB
Flux density	0,88	T
Energy in air gap	131	mJ
Force factor - Bl	3,97	Tm
Piston area - S _D	90 x 10 ⁻⁴	m ²
Total moving mass - M _{MS}	9,1 x 10 ⁻³	kg
Compliance /loudspeaker unmounted/ - C _{MS}	0,75 x 10 ⁻³	m/N
Equivalent box volume - V _{AS}	8,8 x 10 ⁻³	m ³
Quality factor /loudspeaker unmounted/		
- mechanical - Q _{MS}	3,45	
- electrical - Q _{ES}	0,76	
- total - Q _{TS}	0,62	
Air - gap	25/4,6/1,125	mm
Voice coil height	9	mm
Magnet		
- material	ferrite	
- dimensions	70/32/15	mm
- mass	0,23	kg
Mass of loudspeaker	0,70	kg

The loudspeaker has a paper cone, a foam surround and an aluminium coil former.
Connection is by tag connectors or by soldering.

AVAILABLE VERSIONS

- GDN 13/30/5 - 4Ω, catalogue number 9 5151 149 01 - diaphragm covered with black matt paint
- GDN 13/30/6 - 4Ω, catalogue number 9 5151 149 05 - diaphragm covered with black damping-sealing material
- GDN 13/30/13-4Ω, catalogue number 9 5151 149 07



FREQUENCY RESPONSE CURVE
Measured in anechoic room at 1W/1m. Loudspeaker mounted
in sealed 5 dm³ enclosure.