

# WOOFER GDN 13/30/3

9 5151 198

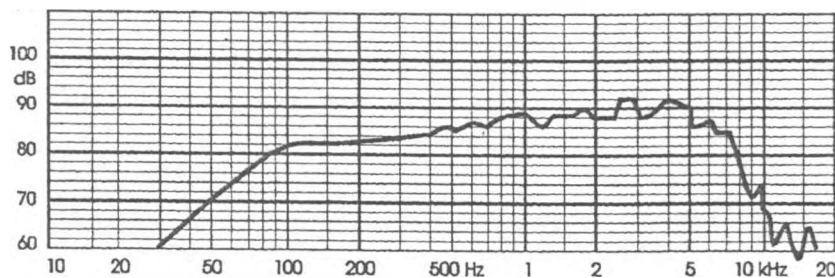
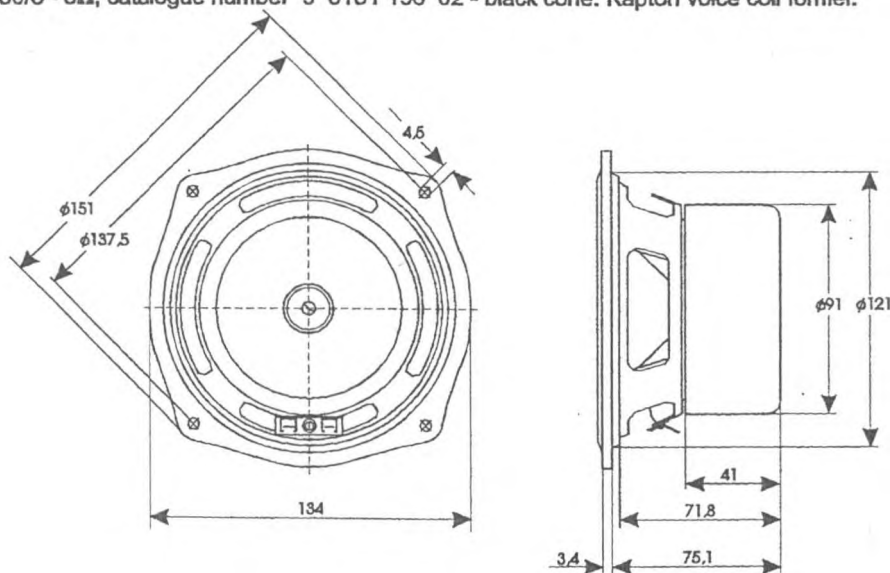
## TECHNICAL DATA

Rated impedance	4	8	Ω
Voice coil resistance	3,45	6,9	Ω
Rated frequency range	90 to 5000		Hz
Resonance frequency	53		Hz
Power handling capacity / enclosure 5 dm <sup>3</sup> , 100 h continuous /	30		W
Max. power	60		W
Sensitivity	87		dB
Flux density	0,97	1,03	T
Energy in air gap	159	158	mJ
Force factor - Bl	4,4	5,75	Tm
Piston area - S <sub>p</sub>	85 x 10 <sup>-4</sup>		m <sup>2</sup>
Total moving mass - M <sub>MS</sub>	7,8 x 10 <sup>-3</sup>	8,4 x 10 <sup>-3</sup>	kg
Compliance /loudspeaker unmounted/ - C <sub>MS</sub>	1,09 x 10 <sup>-3</sup>		m/N
Equivalent box volume - V <sub>AS</sub>	11 x 10 <sup>-3</sup>		m <sup>3</sup>
Quality factor /loudspeaker unmounted/			
- mechanical - Q <sub>MS</sub>	4,58	4,67	
- electrical - Q <sub>ES</sub>	0,465	0,59	
- total - Q <sub>TS</sub>	0,42	0,525	
Air - gap	25/4,6/1,125	25/4,6/1	mm
Voice coil height	9		mm
Magnet			
- material	ferrite		
- dimensions	70/35/15	70/32/10	mm
- mass	0,23	0,15	kg
Mass of loudspeaker	1		kg

The loudspeaker has polypropylene cone, rubber surround, plastic dust cap, screened magnet and gasket /material - foam, position - rear.

## AVAILABLE VERSIONS

- GDN 13/30/3 - 4Ω, catalogue number 9 5151 198 01 - black cone. Nomex voice coil former.
- GDN 13/30/3 - 8Ω, catalogue number 9 5151 198 02 - black cone. Kapton voice coil former.



FREQUENCY RESPONSE CURVE

Measured in anechoic room at 1W/1m. Loudspeaker mounted in sealed 5 dm<sup>3</sup> enclosure.