

WOOFER GDN 13/40/2

9 5151 154

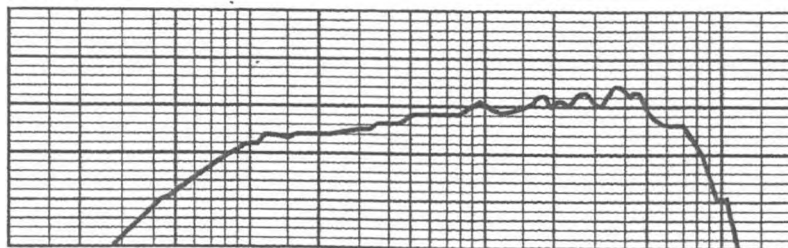
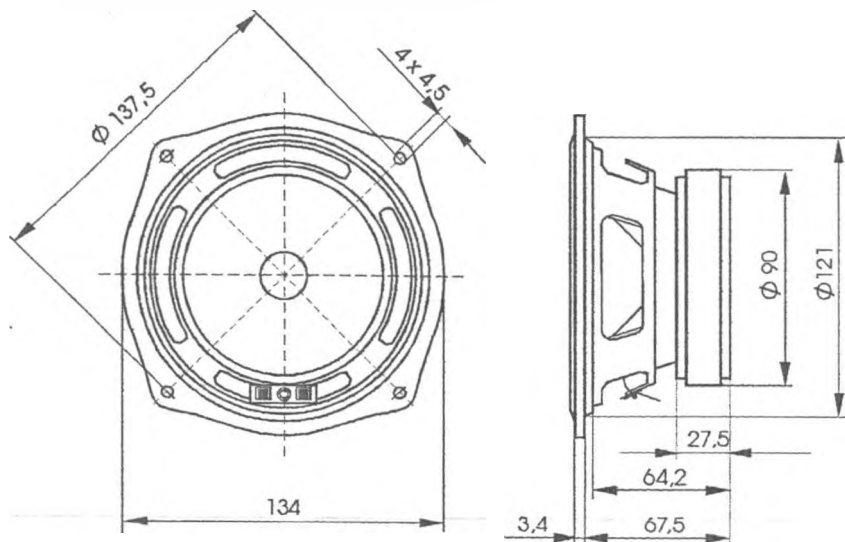
TECHNICAL DATA

Rated impedance	4	7	Ω
Voice coil resistance	3,45	5,7	Ω
Rated frequency range	90 to 5000		Hz
Resonance frequency	53		Hz
Power handling capacity / enclosure 5 dm ³ , 100 h continuous /		40	W
Max power		80	W
Sensitivity	85	88	dB
Flux density	0,87	0,98	T
Energy in air gap	190	211	mJ
Force factor - Bl	4,91	6,54	Tm
Piston area - S _D		85 x 10 ⁻⁴	m ²
Total moving mass - M _{MS}		8,4 x 10 ⁻³	kg
Compliance /loudspeaker unmounted/ - C _{MS}		1,1 x 10 ⁻³	m/N
Equivalent box volume - V _{AS}		11 x 10 ⁻³	m ³
Quality factor /loudspeaker unmounted/			
- mechanical - Q _{MS}	1,48	4,62	
- electrical - Q _{ES}	0,43	0,435	
- total - Q _{TS}	0,33	0,40	
Air - gap	25/6/1,275	25/6/1,125	mm
Voice coil height	11,5	11	mm
Magnet			
- material		ferrite	
- dimensions		90/45/15,5	mm
- mass		0,35	kg
Mass of loudspeaker		1,1	kg

The loudspeaker has polypropylene cone, rubber surround and plastic dust cap.
Connection is by 4,8 mm x 0,5 mm tag connectors or by soldering

AVAILABLE VERSIONS

- GDN 13/40/2 - 4 Ω , catalogue number 9 5151 154 26 - black cone
- GDN 13/40/2 - 7 Ω , catalogue number 9 5151 154 27 - black cone



FREQUENCY RESPONSE CURVE

Measured in anechoic room at 1W/ 1m, Loudspeaker mounted in sealed 5 dm³ enclosure.