

# WOOFER GDN 13/50/11

9 5151 274

## TECHNICAL DATA

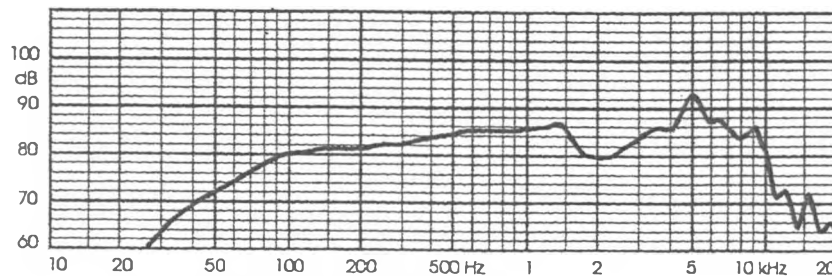
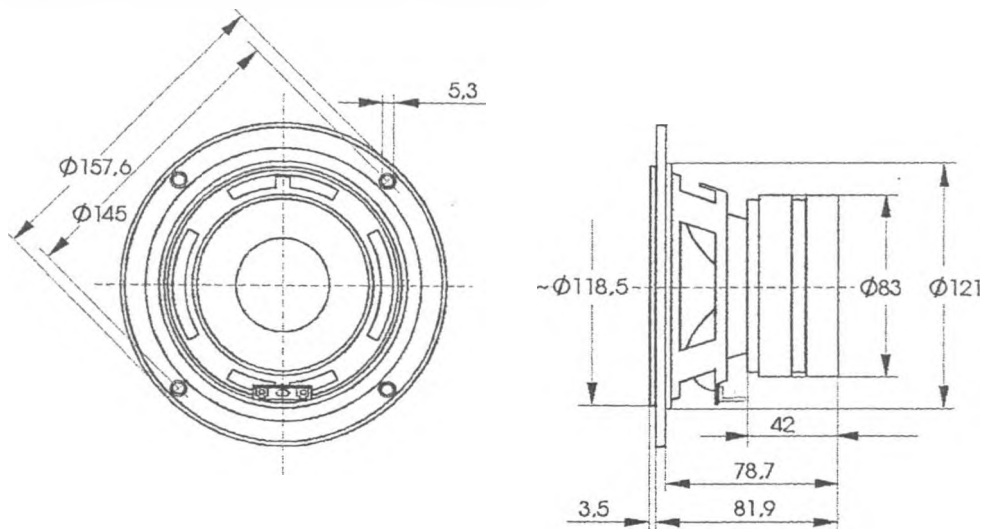
Rated impedance	7	12	$\Omega$
Voice coil resistance	5,7	10,45	$\Omega$
Rated frequency range	100 to 10000		Hz
Resonance frequency	40		Hz
Power handling capacity / enclosure 5 dm <sup>3</sup> , 100 h continuous /	50		W
Max power	100		W
Sensitivity	83		dB
Flux density	1,05	1,12	T
Energy in air gap	243	250	mJ
Force factor - BI	6,94	8,64	Tm
Piston area - S <sub>D</sub>	85 x 10 <sup>-4</sup>		m <sup>2</sup>
Total moving mass - M <sub>MS</sub>	13,3 x 10 <sup>-3</sup>	13,7 x 10 <sup>-3</sup>	kg
Compliance /loudspeaker unmounted/ - C <sub>MS</sub>	1,16 x 10 <sup>-3</sup>		m/N
Equivalent box volume - V <sub>AS</sub>	12 x 10 <sup>-3</sup>		m <sup>3</sup>
Quality factor /loudspeaker unmounted/			
- mechanical - Q <sub>MS</sub>	4,11	4,13	
- electrical - Q <sub>ES</sub>	0,41	0,435	
- total - Q <sub>TS</sub>	0,375	0,395	
Air - gap	25/6/1,125	25/6/1,025	mm
Voice coil height	11	11,5	mm
Magnet			
- material	ferrite		
- dimensions	83/31/15		mm
- mass	0,35		kg
Mass of loudspeaker	1,39		kg

### Special features of the loudspeaker :

a carbon fibre / kevlar cone, rubber surround, gold-plated brass phase plug, double magnet, Kapton voice coil former.

### AVAILABLE VERSIONS

- GDN 13/50/11 - 7  $\Omega$ , catalogue number 9 5151 274 01
- GDN 13/50/11 - 12  $\Omega$ , catalogue number 9 5151 274 02



### FREQUENCY RESPONSE CURVE

Measured in anechoic room at 1W, 1m, Loudspeaker mounted in sealed 5 dm<sup>3</sup> enclosure.