

WOOFER GDN 16/30/2

9 5151 051

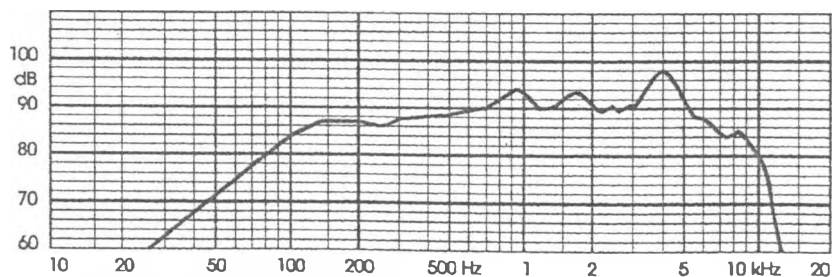
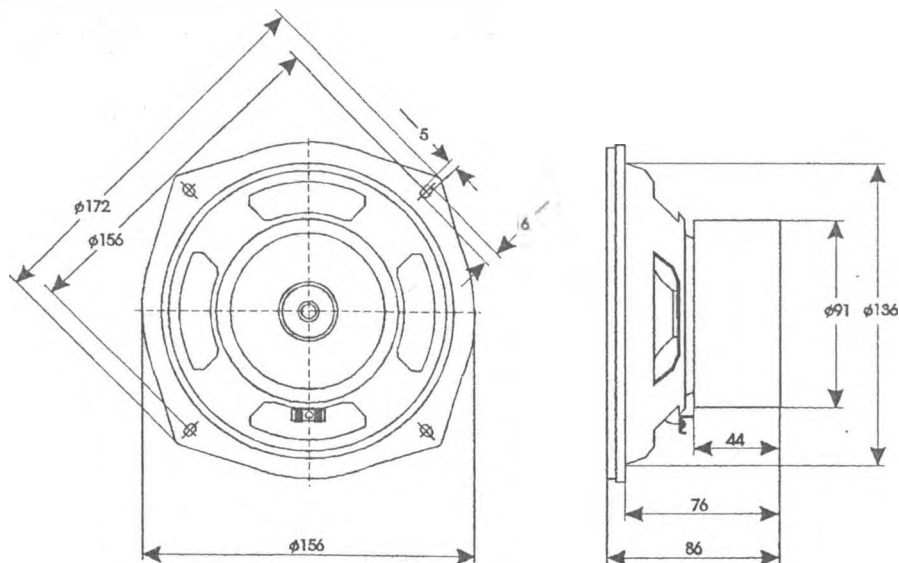
TECHNICAL DATA

Rated impedance	4	Ω
Voice coil resistance	3,6	Ω
Rated frequency range	100 to 5000	Hz
Resonance frequency	54	Hz
Power handling capacity / enclosure 9 dm ³ , 100 h, continuous /	30	W
Max. power	60	W
Sensitivity	89	dB
Flux density	0,85	T
Energy in air gap	125,4	mJ
Force factor - Bl	4,7	Tm
Piston area - S _p	0,013	m ²
Total moving mass - M _{MS}	8,8 x 10 ⁻³	kg
Compliance /loudspeaker unmounted/ - C _{MS}	97,7 x 10 ⁻⁵	m/N
Equivalent box volume - V _{AS}	0,027	m ³
Quality factor /loudspeaker unmounted/		
- mechanical - Q _{MS}	4,40	
- electrical - Q _{ES}	0,48	
- total - Q _{TS}	0,44	
Air - gap	25/3,5/1,5	mm
Voice coil height	5,1	mm
Magnet		
- material	ferite	
- dimensions	70/32/25	mm
- mass	0,38	kg
Mass of loudspeaker	0,98	kg

Connection is by 2,8mm x 0,5mm tag connectors or by soldering.

AVAILABLE VERSIONS

- GDN 16/30/2 - 4Ω, catalogue number 9 5151 051 01



FREQUENCY RESPONSE CURVE
Measured in anechoic room at 1W/1m. Loudspeaker mounted
in sealed 9 dm³ enclosure.