

WOOFER GDN 16/50/3

9 5151 169

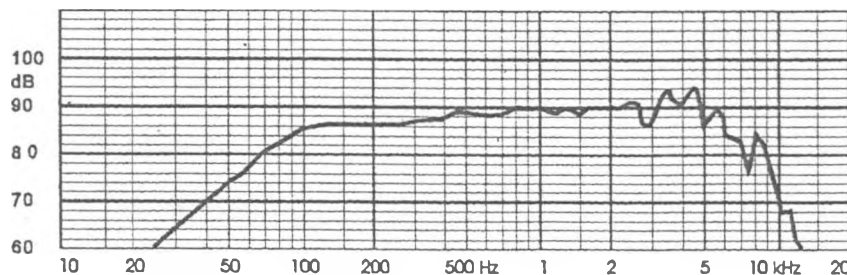
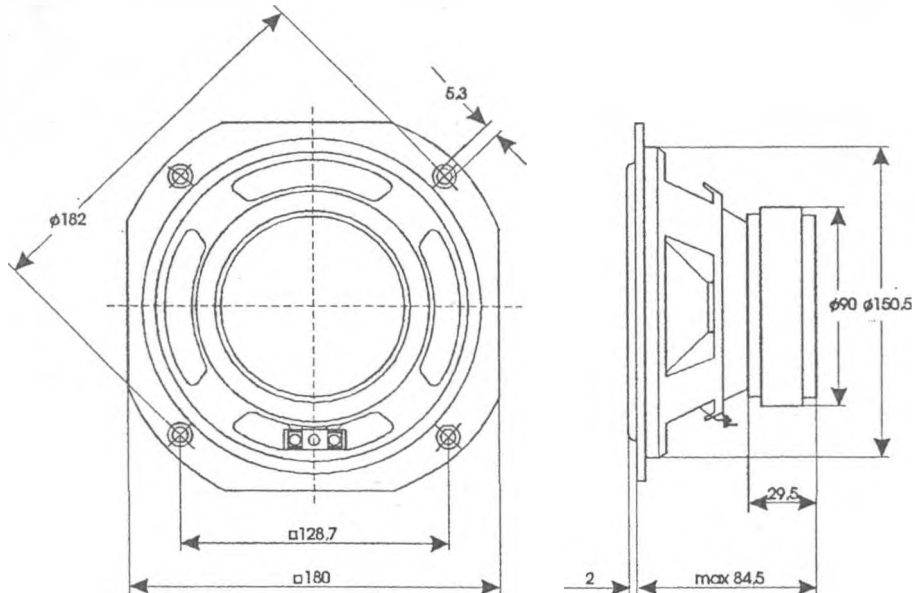
TECHNICAL DATA

Rated impedance	4	Ω
Voice coil resistance	3,4	Ω
Rated frequency range	80 to 5000	Hz
Resonance frequency	38	Hz
Power handling capacity / enclosure 9 dm ³ , 100 h continuous /	50	W
Max. power	100	W
Sensitivity	89	dB
Flux density	0,88	T
Energy in air gap	258	mJ
Force factor - Bl	4,9	Tm
Piston area - S _p	13,9 x 10 ⁻³	m ²
Total moving mass - MMS	12,5 x 10 ⁻³	kg
Compliance /loudspeaker unmounted/ - C _{MS}	13,8 x 10 ⁻⁴	m/N
Equivalent box volume - V _{AS}	37,2 x 10 ⁻³	m ³
Quality factor /loudspeaker unmounted/		
- mechanical - Q _{MS}	3,024	
- electrical - Q _{ES}	0,426	
- total - Q _{TS}	0,374	
Air - gap	25/8/1,275	mm
Voice coil height	11,5	mm
Magnet		
- material	ferrite	
- dimensions	90/45/15,5	mm
- mass	0,35	kg
Mass of loudspeaker	1,25	kg

Diaphragm covered with damping - sealing material

AVAILABLE VERSIONS

- GDN 16/50/3 - 4Ω, catalogue number 9 5151 169 01



FREQUENCY RESPONSE CURVE
Measured in anechoic room at 1W/1m. Loudspeaker mounted
in sealed 9 dm³ enclosure.