

WOOFER GDN 20/40/14 / 14

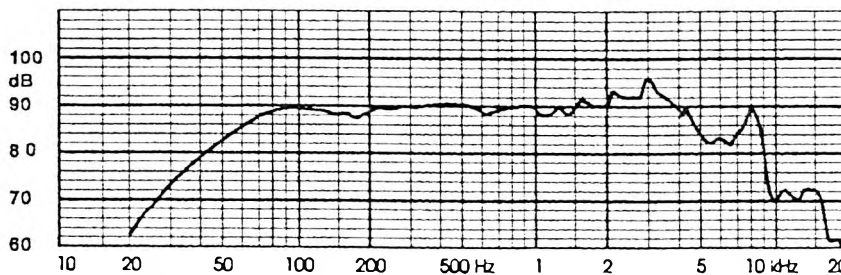
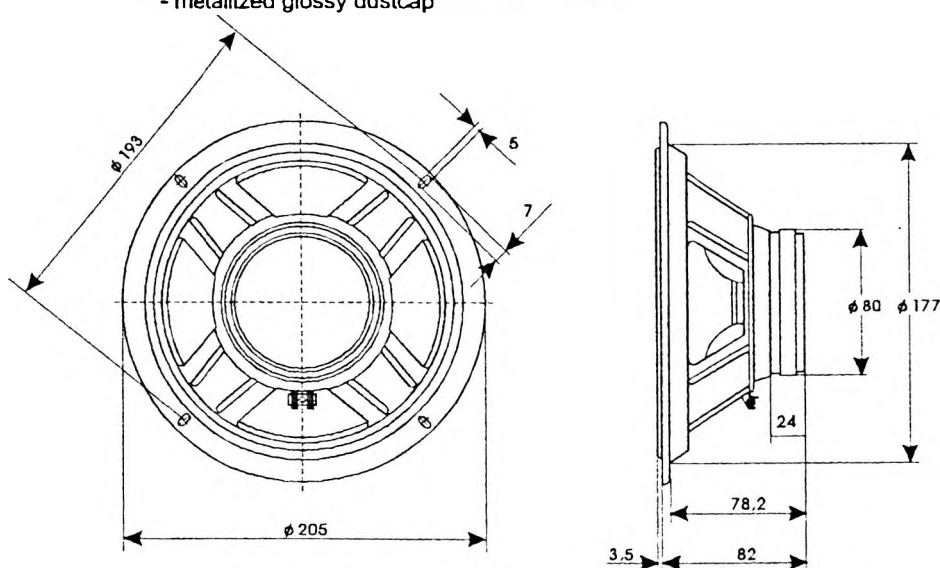
9 5151 027

TECHNICAL DATA

Rated impedance	8	Ω
Voice coil resistance	7,3	Ω
Rated frequency range	50 to 4000	Hz
Resonance frequency	45	Hz
Power handling capacity / enclosure 36 dm ³ , 100 h continuous /	40	W
Max. power	60	W
Sensitivity	90	dB
Flux density	0,63	T
Energy in air gap	113,9	mJ
Force factor - Bl	6,3	Tm
Piston area - S _D	0,021	m ²
Total moving mass - M _{MS}	0,014	kg
Compliance /loudspeaker unmounted/ - C _{MS}	88,7x10 ⁻⁵	m/N
Equivalent box volume - V _{AS}	0,056	m ³
Quality factor /loudspeaker unmounted/		
- mechanical - Q _{MS}	5,41	
- electrical - Q _{ES}	0,78	
- total - Q _{TS}	0,68	
Air - gap	25/6/1,45	mm
Voice coil height	7,4	mm
Magnet		
- material	ferite	
- dimensions	80/40/12	mm
- mass	0,23	kg
Mass of loudspeaker	0,95	kg

AVAILABLE VERSIONS

- GDN 20/40/8 - 8 Ω , catalogue number 9 5151 027 01
- GDN 20/40/8 - 15 Ω , catalogue number 9 5151 027 05
- GDN 20/40/14 - 8 Ω , catalogue number 9 5151 027 12 -
- metallized glossy dustcap



FREQUENCY RESPONSE CURVE
Measured in anechoic room at 1W/1m. Loudspeaker mounted
in sealed 36 dm³ enclosure.