

WOOFER GDN 20/80/2

9 5151 181

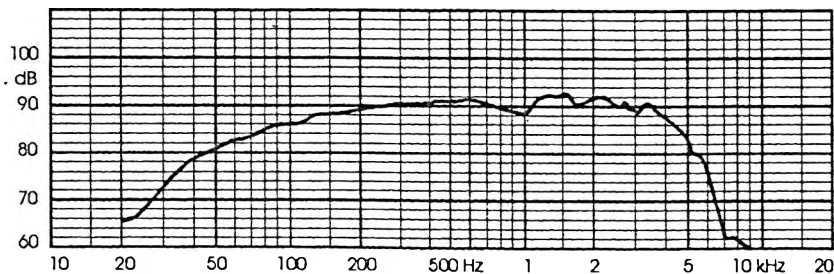
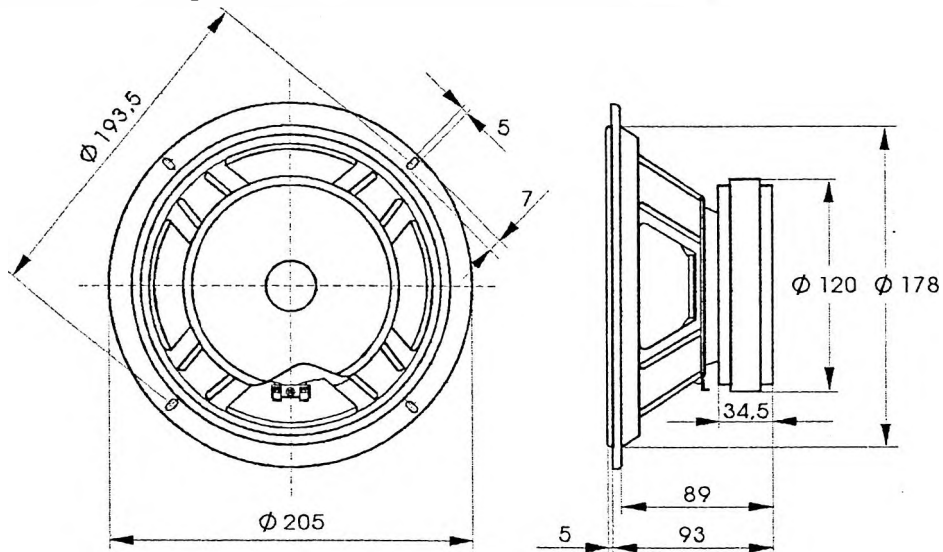
TECHNICAL DATA

Rated impedance	4	8	Ω
Voice coil resistance	3,4	6,4	Ω
Rated frequency range	50 to 4000		Hz
Resonance frequency	32		Hz
Power handling capacity / enclosure 24 dm ³ , 100 h continuous /		80	W
Max power		180	W
Sensitivity	89	90	dB
Flux density		0,90	T
Energy in air gap		380	mJ
Force factor - Bl	6,8	8,8	Tm
Piston area - S _D		0,022	m ²
Total moving mass - M _{MS}		0,023	kg
Compliance /loudspeaker unmounted/ - C _{MS}		0,98 x 10 ⁻³	m/N
Equivalent box volume - V _{AS}		0,068	m ³
Quality factor /loudspeaker unmounted/			
- mechanical - Q _{MS}		2,00	
- electrical - Q _{ES}		0,40	
- total - Q _{TS}		0,33	
Air - gap	35/8/1,425	35/8/1,3	mm
Voice coil height	13,5	16	mm
Magnet			
- material		ferrite	
- dimensions		120/60/18	mm
- mass		0,76	kg
Mass of loudspeaker		2,4	kg

The loudspeaker has a polypropylene cone
The loudspeaker is particularly suitable for subwoofers

AVAILABLE VERSIONS

- GDN 20/80/2 - 8 Ω , catalogue number 9 5151 181 01 - black cone
- GDN 20/80/2 - 4 Ω , catalogue number 9 5151 181 05 - black cone



FREQUENCY RESPONSE CURVE

Measured in anechoic room at 1W, 1m, Loudspeaker mounted in sealed 24 dm³ enclosure.