

# WOOFER GDN 30/120 / 1

9 5151 270

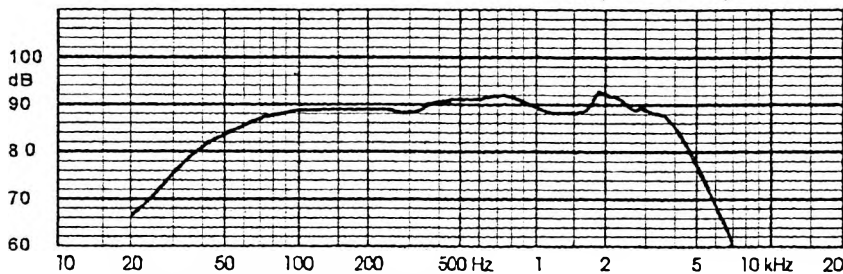
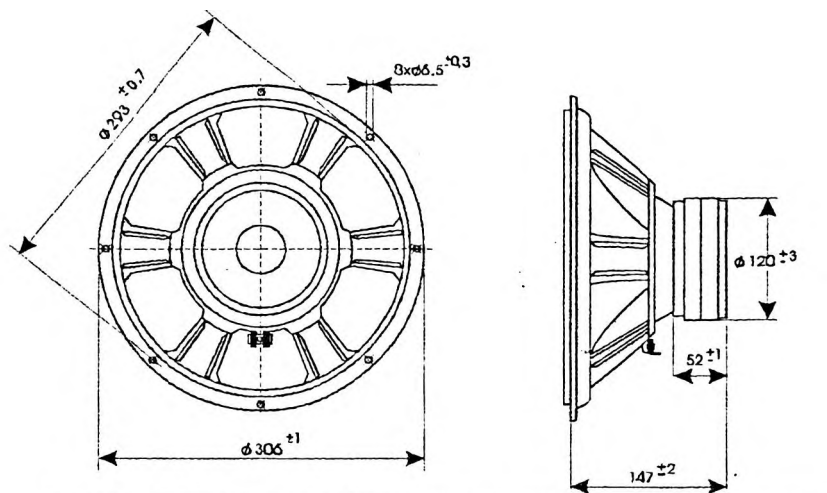
## TECHNICAL DATA

Rated impedance	8	Ω
Voice coil resistance	6,4	Ω
Rated frequency range	40 to 3000	Hz
Resonance frequency	24	Hz
Power handling capacity / enclosure 70 dm <sup>3</sup> , 100 h, continuous /	120	W
Max. power	250	W
Sensitivity	89	dB
Flux density	0,8	T
Energy in air gap	570	mJ
Force factor - Bl	14,0	Tm
Piston area - S <sub>D</sub>	0,05	m <sup>2</sup>
Total moving mass - MMS	0,065	kg
Compliance /loudspeaker unmounted/ - C <sub>MS</sub>	75x10 <sup>-5</sup>	m/N
Equivalent box volume - V <sub>AS</sub>	0,30	m <sup>3</sup>
Quality factor /loudspeaker unmounted/		
- mechanical - Q <sub>MS</sub>	2,36	
- electrical - Q <sub>ES</sub>	0,30	
- total - Q <sub>TS</sub>	0,26	
Air - gap	48/8/1,75	mm
Voice coil height	18,5	mm
Magnet		
- material	ferrite	
- dimensions	2x120/60/18	mm
- mass	1,52	kg
Mass of loudspeaker	4,0	kg

The loudspeaker has a paper cone, a paper dust cup and a foam surround.  
Connection is by 2,8 mm x 0,8 mm and 4,8 mm x 0,8 mm tag connectors or by soldering.

## AVAILABLE VERSIONS

- GDN 30/120 - 8 Ω, catalogue number 9 5151 270 01 - diaphragm covered with green-red paint
- GDN 30/120/1 - 8 Ω, catalogue number 9 5151 270 02 - diaphragm covered with blue-green paint



FREQUENCY RESPONSE CURVE

Measured in anechoic room at 1W/1m. Loudspeaker mounted in sealed 70 dm<sup>3</sup> enclosure.