

# WOOFER GDN 30/60/18

9 5151 094

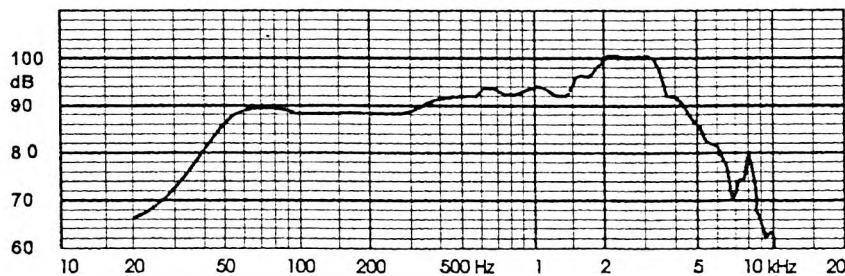
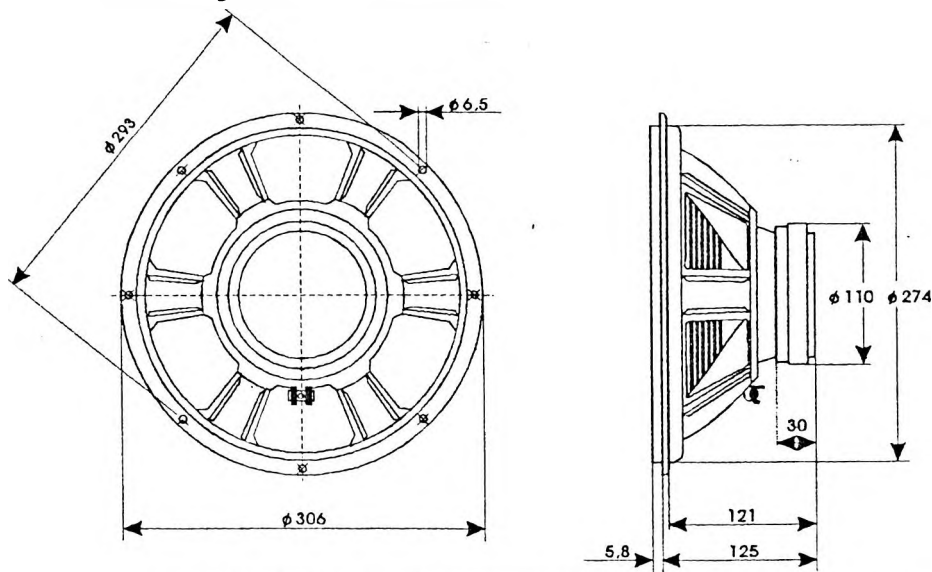
## TECHNICAL DATA

Rated impedance	8	$\Omega$
Voice coil resistance	6,4	$\Omega$
Rated frequency range	70 to 4000	Hz
Resonance frequency	25	Hz
Power handling capacity / enclosure 70 dm <sup>3</sup> , 100 h continuous /	60	W
Max. power	80	W
Sensitivity	90	dB
Flux density	1	T
Energy in air gap	329	mJ
Force factor - Bl	8,23	Tm
Piston area - S <sub>D</sub>	0,049	m <sup>2</sup>
Total moving mass - M <sub>MS</sub>	0,037	kg
Compliance /loudspeaker unmounted/ - C <sub>MS</sub>	97,5x10 <sup>-5</sup>	m/N
Equivalent box volume - V <sub>AS</sub>	0,378	m <sup>3</sup>
Quality factor /loudspeaker unmounted/ - mechanical - Q <sub>MS</sub>	4,83	
- electrical - Q <sub>ES</sub>	0,56	
- total - Q <sub>TS</sub>	0,50	
Air - gap	35/6/1,2	mm
Voice coil height	15	mm
Magnet		
- material	ferite	
- dimensions	110/60/18	mm
- mass	0,6	kg
Mass of loudspeaker	2,2	kg

Connection is by 6,35 mm x 0,5 mm tag connectors or by soldering.

## AVAILABLE VERSIONS

- GDN 30/60/18 - 8 $\Omega$ , catalogue number 9 5151 094 01



FREQUENCY RESPONSE CURVE  
Measured in anechoic room at 1W/1m. Loudspeaker mounted  
in sealed 70 dm<sup>3</sup> enclosure.