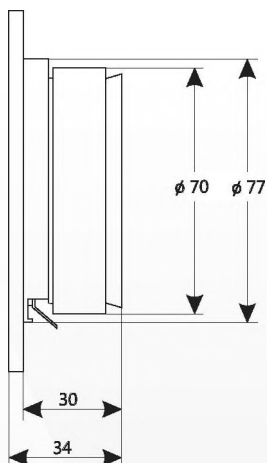
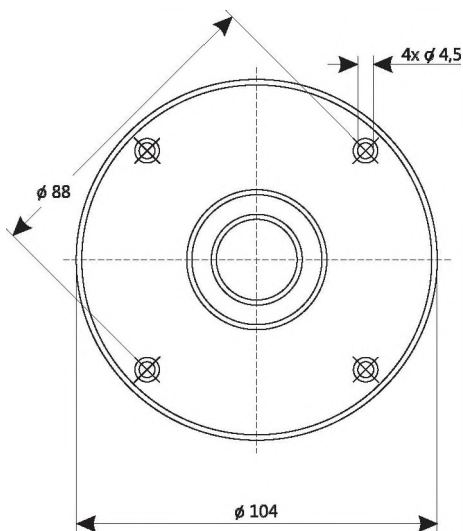


## DOME TWEETER LOUDSPEAKER GDWK 10/80/7



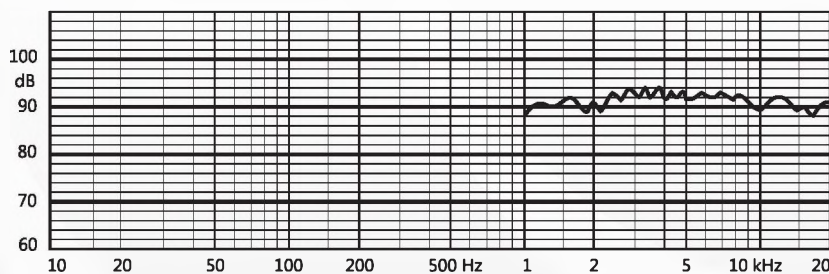
### TECHNICAL DATA

Rated impedance	8	Ω
Voice coil resistance	6,3	Ω
Rated frequency range	4 to 20	kHz
Resonance frequency	-	kHz
Recommended crossover frequency	4,8	kHz
Power handling capacity, P1/P2		
measured with filter	80/5	W
Max. power	160/8	W
Sensitivity	90	dB
Flux density	1,29	T
Energy in air gap	118,2	mJ
Air - gap	25/3/0,745	mm
Voice coil height	2,0	mm
Magnet		
- material	ferrite	
- dimensions	70/32/15	mm
- mass	0,23	kg
Mass of loudspeaker	0,6	kg

Membrane material - laminated fabric

### AVAILABLE VERSIONS

- GDWK 10/80/7 - 8 Ω, catalogue number 9 5155 086 01



### FREQUENCY RESPONSE CURVE

Measured in anechoic room at 1W/1m. Loudspeaker mounted on IEC baffle