

DOME TWEETER LOUDSPEAKER GDWK 10/80/8

9 5155 063

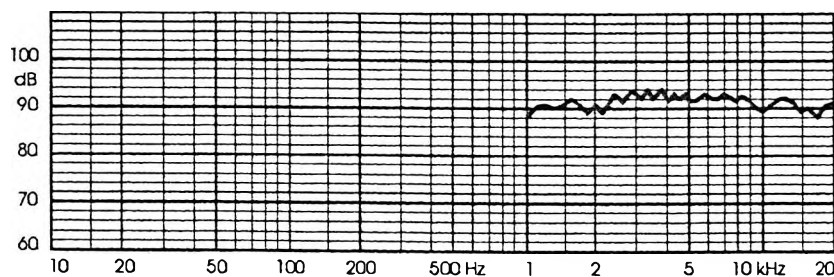
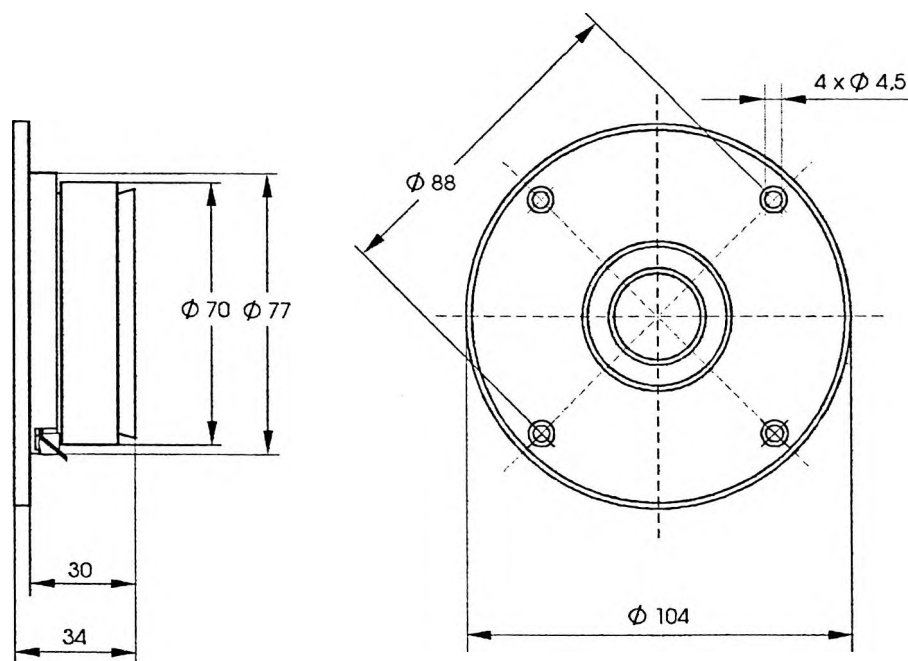
TECHNICAL DATA

Rated impedance	8 Ω
Voice coil resistance	6,3 Ω
Rated frequency range	4 to 20 kHz
Resonance frequency	kHz
Recommended crossover frequency	4,8 kHz
Power handling capacity, P1/P2, measured with filter,	80/3 W
Max power	160/5 W
Sensitivity	90 dB
Flux density	1,29 T
Energy in air gap	118,2 mJ
Air-gap	25/3/0,745 mm
Voice coil height.	1,9 mm
Magnet	
- material	ferrite
- dimensions	70/32/15 mm
- mass	0,23 kg
Mass of loudspeaker	0,6 kg

Membrane material - polyamide

AVAILABLE VERSIONS

- GDWK 10/80/8 - 8 Ω , catalogue number 9 5155 063 12



FREQUENCY RESPONSE CURVE

Measured in anechoic room at 1W, 1m, Loudspeaker mounted on IEC baffle.