

# DOME TWEETER LOUDSPEAKER GDWK 5,5/30

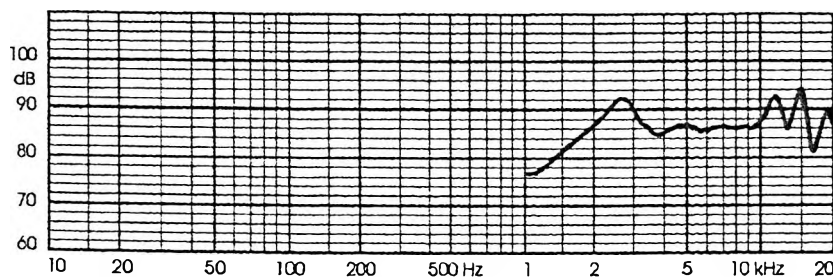
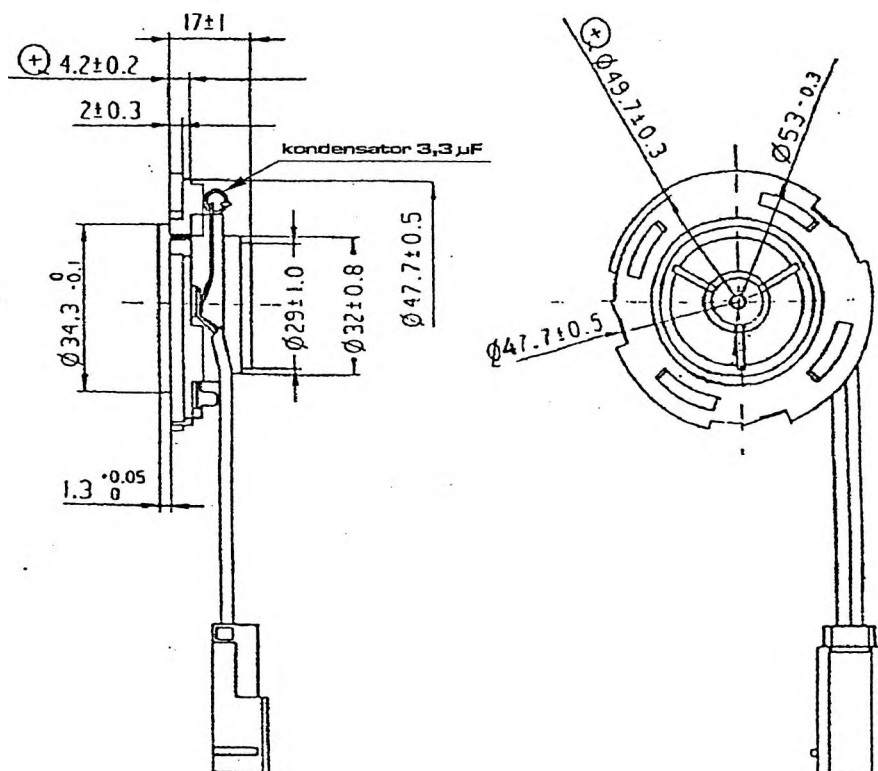
9 5155 169

## TECHNICAL DATA

Rated impedance	4,0 $\Omega$
Voice coil resistance	3,8 $\Omega$
Rated frequency range	4 to 20 kHz
Power handling capacity, P1/P2, measured with filter,	30/0,6 W
Max power	40/1 W
Sensitivity	86 dB
Flux density	0,72 T
Energy in air gap	5,8 mJ
Air-gap	10/1,2/0,7 mm
Voice coil height	2,2 mm
Magnet	ferrite
- material	32/16/7 mm
- dimensions	0,021 kg
- mass	0,055 kg
Mass of loudspeaker	

## AVAILABLE VERSIONS

- GDWK 5,5/30 - 4 $\Omega$ , catalogue number 9 5155 169 01



FREQUENCY RESPONSE CURVE

Measured in anechoic room at 1W, 1m, Loudspeaker mounted on IEC baffle.