

# DOME TWEETER LOUDSPEAKER GDWK 6,5/10

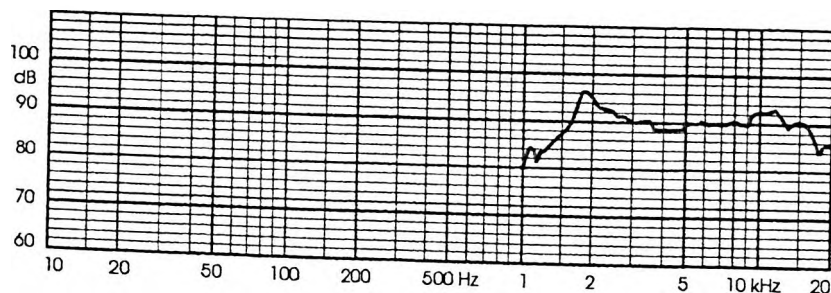
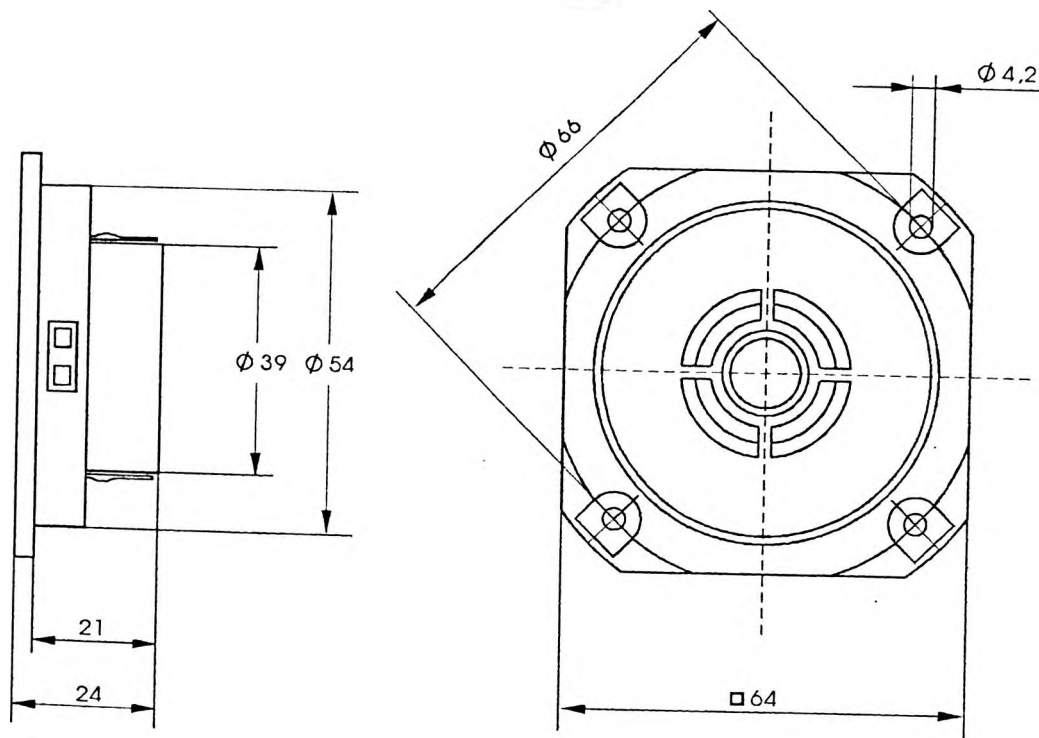
9 5155 019

## TECHNICAL DATA

Rated impedance	4	8	Ω
Voice coil resistance	3,6	6,7	Ω
Rated frequency range	4 to 20		kHz
Resonance frequency	-		kHz
Recommended crossover frequency	5	7,5	kHz
Power handling capacity, P1/P2, measured with filter,	10/0,2		W
Max power	25/0,5		W
Sensitivity	91	93	dB
Flux density	0,8		T
Energy in air gap	16		mJ
Air-gap	13/2,5/0,6		mm
Voice coil height	2	1,8	mm
Magnet	ferrite		
- material	36/16/7		mm
- dimensions	0,03		kg
- mass	0,1		kg
Mass of loudspeaker			

## AVAILABLE VERSIONS

- GDWK 6,5/10 - 4 Ω, catalogue number 9 5155 019 03
- GDWK 6,5/10 - 8 Ω, catalogue number 9 5155 019 01



FREQUENCY RESPONSE CURVE  
Measured in anechoic room at 0,1W, 0,5m, Loudspeaker mounted on IEC baffle..