

DOME TWEETER LOUDSPEAKER GDWK 8/10/1

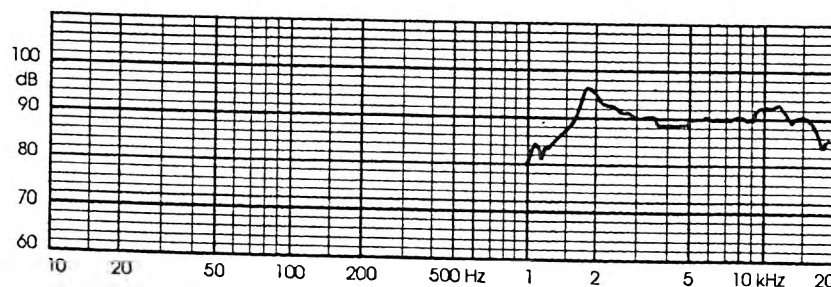
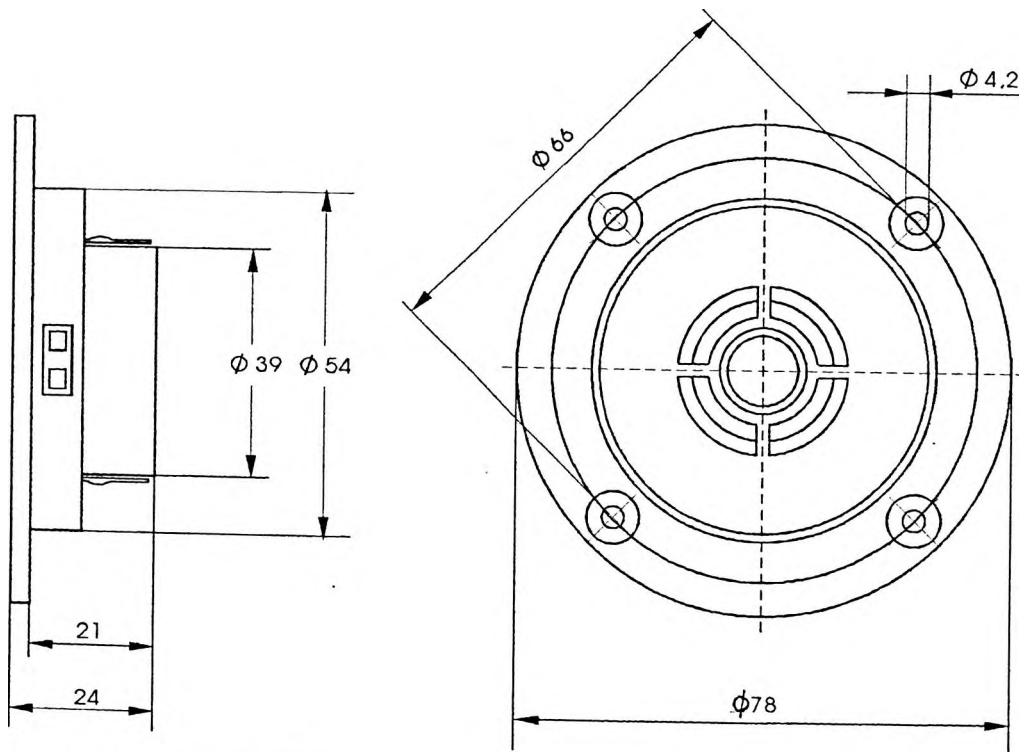
9 5155 059

TECHNICAL DATA

Rated impedance	4	8	Ω
Voice coil resistance	3,6	6,7	Ω
Rated frequency range	4 to 20		kHz
Resonance frequency	-		kHz
Recommended crossover frequency	5	7,5	kHz
Power handling capacity, P1/P2, measured with filter,	10/0,2		W
Max power	25/0,5		W
Sensitivity	91	93	dB
Flux density	0,8		T
Energy in air gap	16		mJ
Air-gap	13/2,5/0,6		mm
Voice coil height	2	1,8	mm
Magnet			
- material	ferrite		
- dimensions	36/16/7		mm
- mass	0,03		kg
Mass of loudspeaker	0,1		kg

AVAILABLE VERSIONS

- GDWK 8/10/1 - 4 Ω , catalogue number 9 5155 059 15
- GDWK 8/10/1 - 8 Ω , catalogue number 9 5155 059 03



FREQUENCY RESPONSE CURVE
Measured in anechoic room at 0,1W, 0,5m, Loudspeaker mounted on IEC baffle..