

## DOME TWEETER LOUDSPEAKER GDWK 8/50/5

9 5155 136

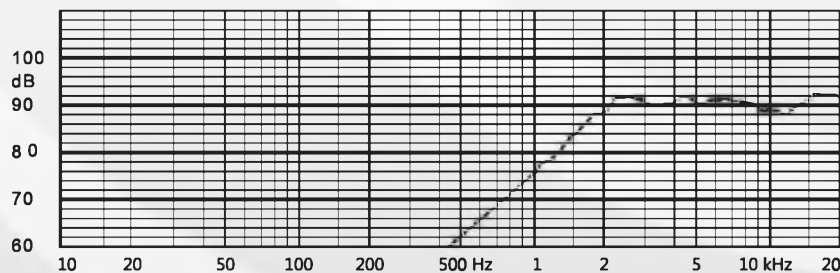
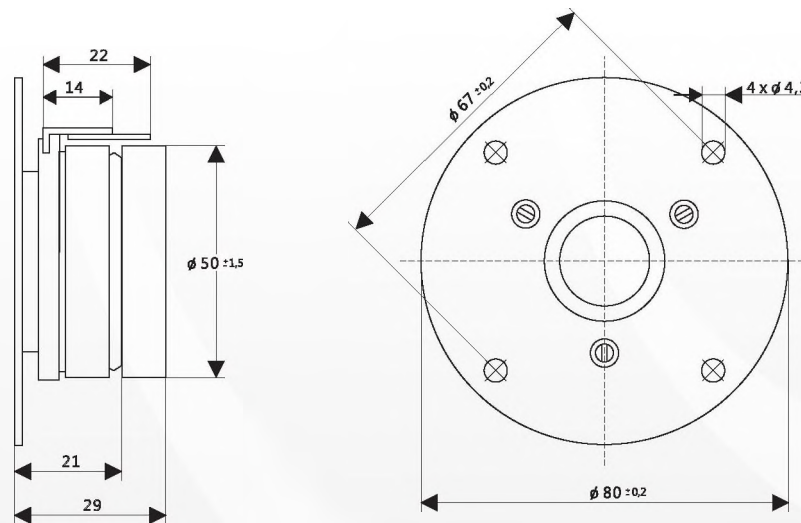
### TECHNICAL DATA

Rated impedance	8	Ω
Voice coil resistance	6,3	Ω
Rated frequency range	4,0 to 20	kHz
Resonance frequency	2,4	kHz
Recommended crossover frequency	6,0	kHz
Power handling capacity, P1/P2, measured with filter,	50/1,5	W
Max. power	100/3	W
Sensitivity	90	dB
Flux density	1,1	T
Energy in air gap	39,6	mJ
Air - gap	18/2/0,7	mm
Voice coil height	1,3	mm
Magnet		
- material	ferrite	
- dimensions	2 x 50/22/8	mm
- mass	2 x 0,063	kg
Mass of loudspeaker	0,30	kg

The loudspeaker has a dome made of black polyester cloth and an air-gap filled with ferrofluid.

### AVAILABLE VERSIONS

- GDWK 8/50/5 - 8 Ω, catalogue number 9 5155 136 12



FREQUENCY RESPONSE CURVE  
Measured in anechoic room at 1W/1m. Loudspeaker mounted  
on IEC baffle.