

DOME TWEETER LOUDSPEAKER GDWK 9/80/6

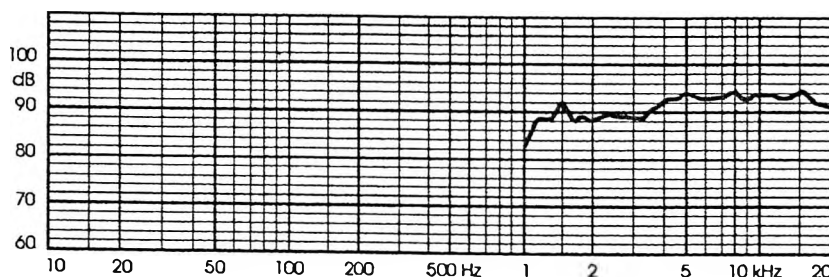
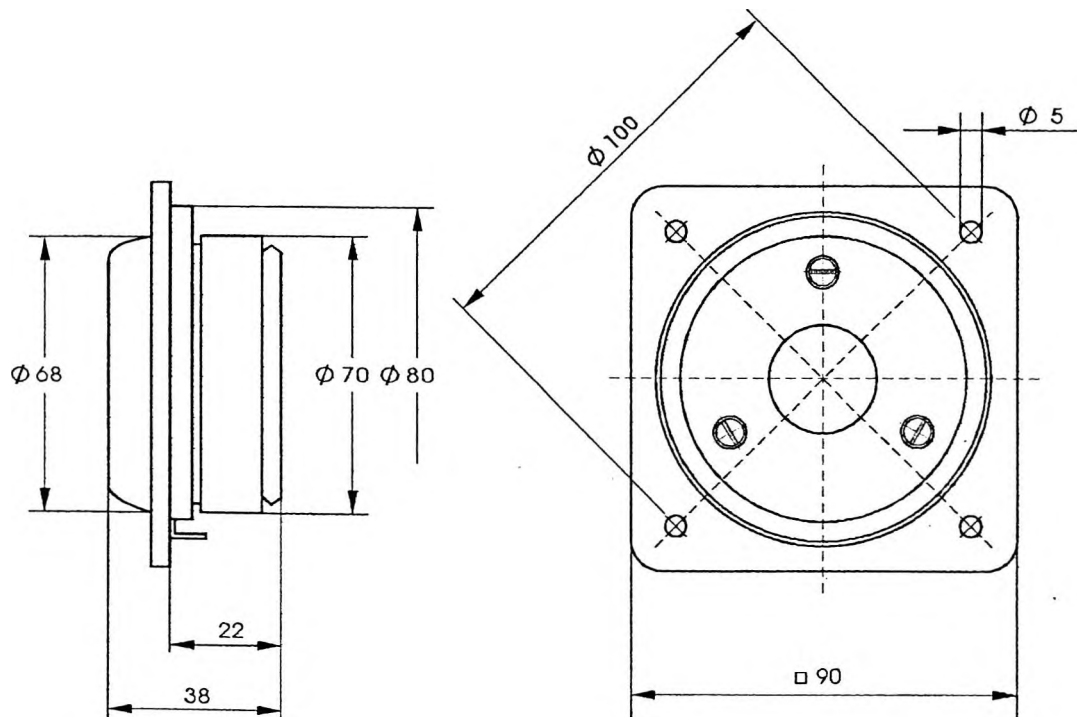
9 5155 030

TECHNICAL DATA

Rated impedance	8 Ω
Voice coil resistance	6,3 Ω
Rated frequency range	4,0 to 20 kHz
Resonance frequency	1,1 kHz
Recommended crossover frequency	4,8 kHz
Power handling capacity, P1/P2, measured with filter,	80/2,5 W
Max power	160/5 W
Sensitivity	94 dB
Flux density	1,16 T
Energy in air gap	106 mJ
Air-gap	25/3/0,815 mm
Voice coil height	1,9 mm
Magnet	
- material	ferrite
- dimensions	70/32/10 mm
- mass	0,16 kg
Mass of loudspeaker	0,6 kg

AVAILABLE VERSIONS

- GDWK 9/80/6 - 8 Ω , catalogue number 9 5155 030 01



FREQUENCY RESPONSE CURVE

Measured in anechoic room at 1W, 1m, Loudspeaker mounted on IEC baffle.