

# HORN TWEETER LOUDSPEAKER GDWT 10/80 F

9 5155 043

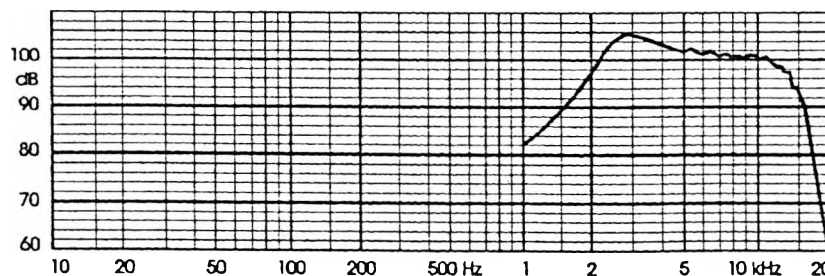
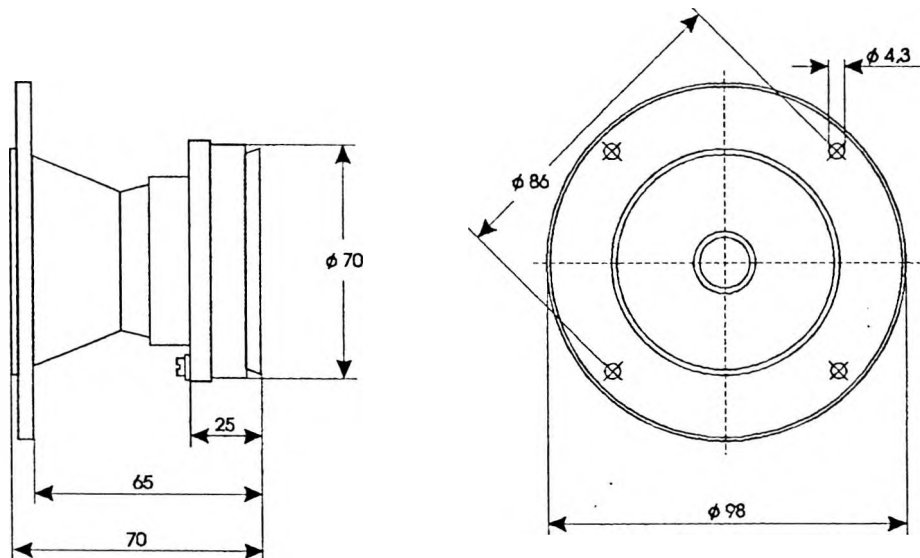
## TECHNICAL DATA

Rated impedance	4 $\Omega$
Voice coil resistance	2,9 $\Omega$
Rated frequency range	4 to 14 kHz
Resonance frequency	kHz
Recommended crossover frequency	4,5 kHz
Power handling capacity, P1/P2 measured with filter	80/2,5 W
Max. power	160/5 W
Sensitivity	100 dB
Flux density	1,16 T
Energy in air gap	104,5 mJ
Air - gap	25/3/0,815 mm
Voice coil height	3 mm
Magnet	
- material	ferrite
- dimensions	70/32/10 mm
- mass	0,15 kg
Mass of loudspeaker	0,5 kg

The loudspeaker has flexible wire leads and an air gap with ferrofluid

## AVAILABLE VERSIONS

- GDWT 10/80 F - 4 $\Omega$ , catalogue number 9 5155 043 01



FREQUENCY RESPONSE CURVE  
Measured in anechoic room at 1W/1m, free field.