



Part No: GF0571M

Date: 9/27/2006

Unit: mm

Description: speaker

Page No: 1 of 2

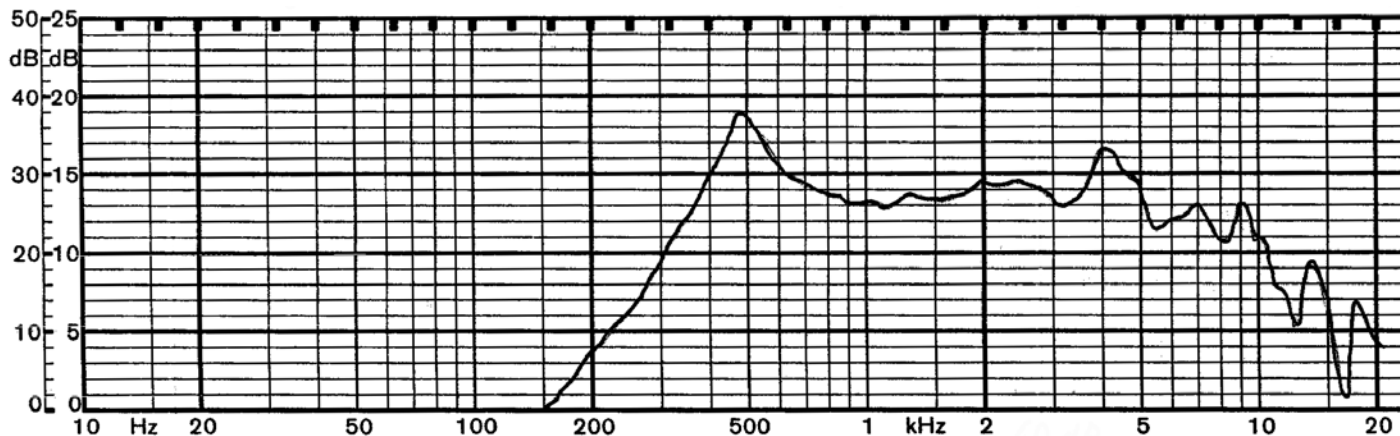


**Specifications**

|                      |   |  |
|----------------------|---|--|
| Nominal Size         | 57 mm (2.25 in)                         | (See attached drawing)                         |
| Impedance            | 8 Ohm $\pm$ 15%                         | at 800 Hz 1 V                                  |
| Resonant frequency   | 480 Hz $\pm$ 96 Hz                      | at 1 V   |
| Sound pressure level | 86 dB/w $\pm$ 3 dB                      | 0.25 w 50 cm ave. at 1.0K, 1.4K, 1.7K, 2.0K Hz |
| Response             | Fo Hz ~ 14 KHz max 10 dB                |  |
| Input power          | Nominal 0.25 W                          | Handling capacity 0.5 W                        |
| Operation            | must be normal at program source 0.25 W |  |
| Buzz, rattle, etc.   | must be normal at sine wave 1.41 V      |  |
| Magnet               | Size: 32 x 18 x 6 mm                    |  |
| Load test            | White noise 0.25 W for                  | 5 hours  |
| Heat test            | 65 $\pm$ 2° C                           | 20-50% R.H. 5 hours                            |
| Humidity test        | 40 $\pm$ 2° C                           | 90-95% R.H. 5 hours                            |

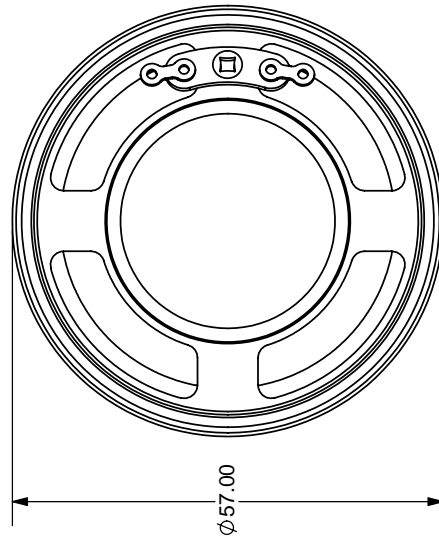
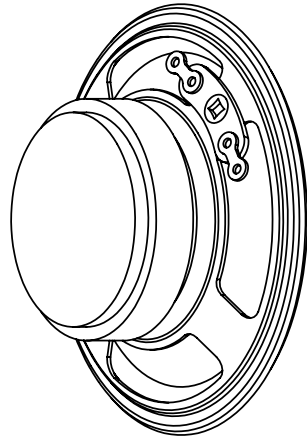
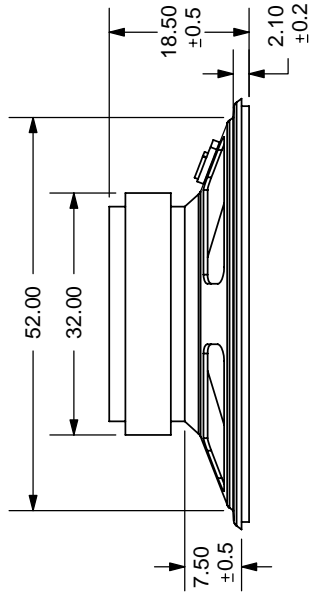
**Frequency Response Curve**

|                       |            |
|-----------------------|------------|
| Potentiometer range   | 50 dB      |
| Rectifier             | RMS        |
| Lower limit frequency | 20 Hz      |
| Wr. speed             | 100 mm/sec |



Zero level 60 dB

|      |             |          |
|------|-------------|----------|
| REV. | DESCRIPTION | DATE     |
| A    | NEW DRAWING | 8/8/2006 |



TOLERANCE:  
±0.3mm UNLESS OTHERWISE  
SPECIFIED



**CUI INC**

20050 SW 112th Ave.  
Tualatin, OR 97062  
Phone: 503-643-4899  
800-275-4899  
Fax: 503-372-1266  
Website: www.cui.com

|           |   |              |             |
|-----------|---|--------------|-------------|
| TITLE:    | Round frame mylar cone - ferrite magnet | REV:         | A           |
| PART NO:  | GF0571M                                 | UNITS:       | MM [INCHES] |
| DRAWN BY: | ZRJ                                     | APPROVED BY: |             |
|           |   | SCALE:       | 1:1         |