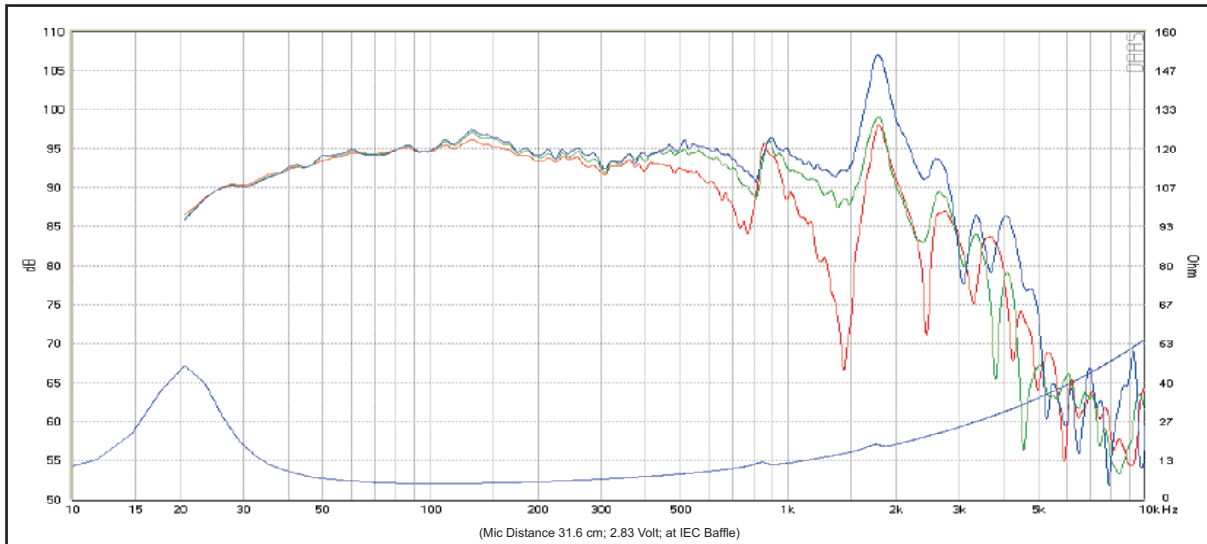
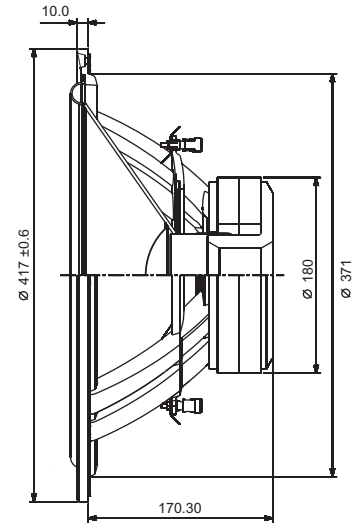
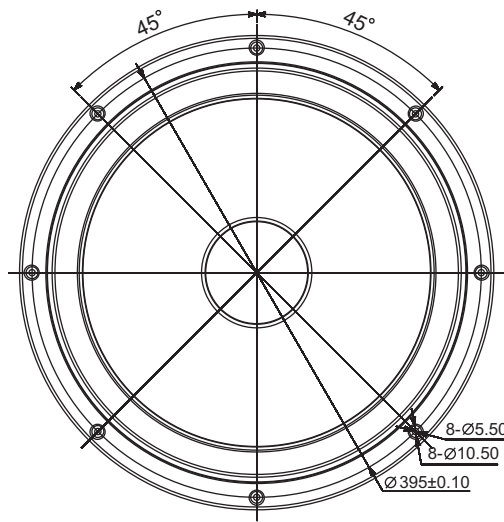


ACOUSTICS

15" SB42FHC75-6



Response Curve :

— (Blue) : on axis — (Green) : 30 off-axis — (Red) : 60 off-axis

Specs :

Nominal Impedance	6 Ω	Free air resonance, Fs	22 Hz
DC resistance, Re	4.6 Ω	Sensitivity (2.83 V/1m)	93 dB
Voice coil inductance, Le	2.1 mH	Mechanical Q-factor, Qms	7.0
Effective piston area, Sd	850 cm ²	Electrical Q-factor, Qes	0.4
Voice coil diameter	75.6 mm	Total Q-factor, Qts	0.38
Voice coil height	31 mm	Moving mass incl.air, md	162 g
Air gap height	8 mm	Force factor, Bl	16 Tm
Linear coil travel (p-p)	23 mm	Equivalent volume, Vas	331 liters
Magnetic flux density	1.02 T	Compliance, Cms	0.32 mm/N
Magnet weight	3.6 kg	Mechanical loss, Rm	3.2 kg/s
Net weight	10.2 kg	Rated power handling	300 watt

The parameter are measured on drive units that are broken in