

LOUDSPEAKER SYSTEM

ZgB 90-8-543 (SOUNDFINDER 250)

9 6111 180 03

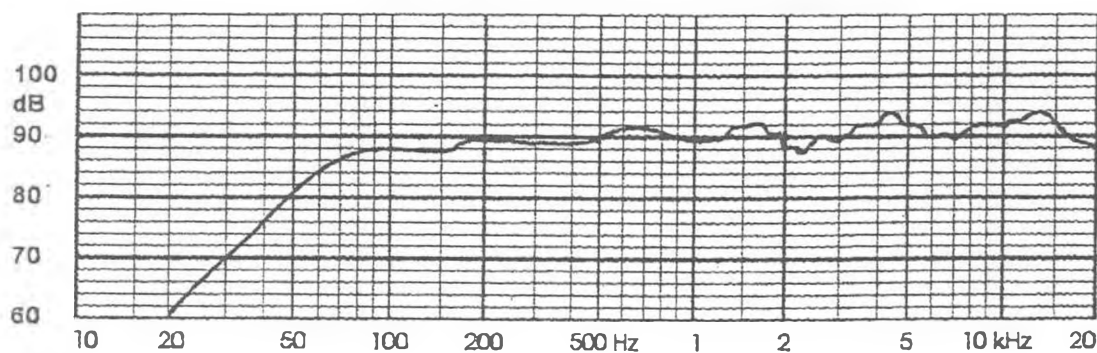
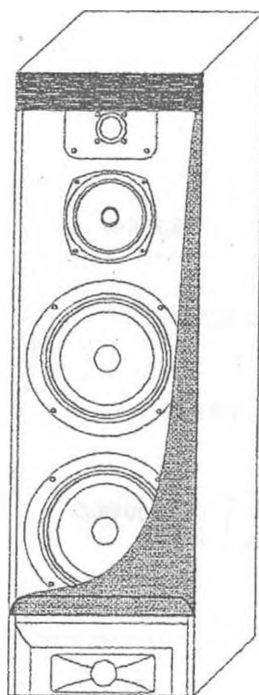
TECHNICAL DATA

System type	bass-reflex
Rated impedance	8 Ω
Rated frequency range	40 - 22000 Hz
Rated input power	110 W
Max. input power	250 W
Sensitivity	+89 dB
Crossover frequencies	1,8/5 kHz
Loudspeakers:	

Dimensions
Mass

2 x GDN 16/40/12	- 15 Ω
GDM 10/80/5	- 8 Ω
GDWK 8 - 12/120	- 8 Ω
240 x 850 x 235	mm
	12,5 kg

Finish: PVC



FREQUENCY RESPONSE CURVE
Measured in anechoic room at 1W, 1m, free field.

LOUDSPEAKER SYSTEM

ZgB 90-8-543 (SOUNDFINDER 250)

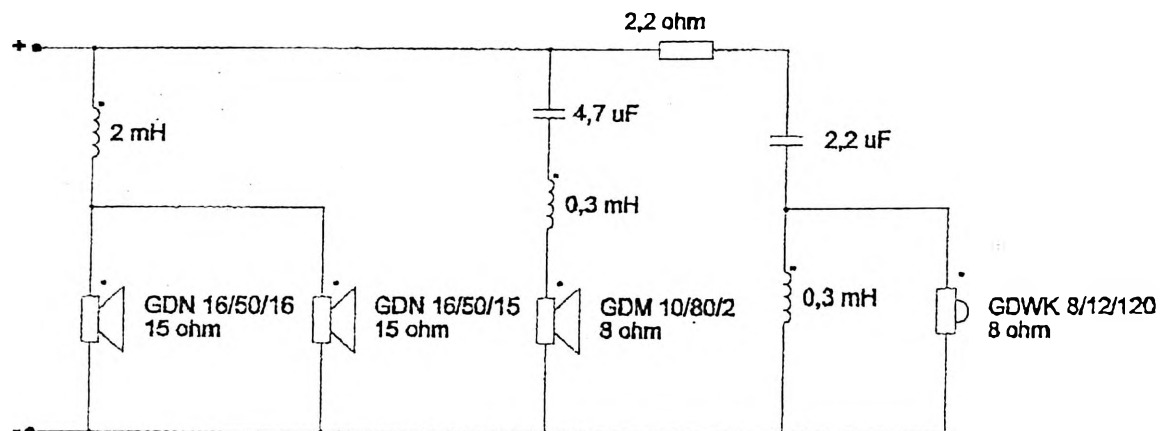
9 6111 180 03

INDEKSY PODZESPOŁÓW SERWISOWYCH

GDN 16/50/16 - 15 ohm
GDM 10/80/2 - 8 ohm
GDWK 8-12/120 - 8 ohm
Zwrotnica elektryczna

9 5151 275 20
9 5153 090 07
8 4141 041 26 (membrana)
9 5291 144 11

8 4171 326 01



SCHEMAT ZWROTNICY ELEKTRYCZNEJ