

# LOUDSPEAKER SYSTEM

## ZgN 50-6-511 (SUB 3,3)

9 6111 244 02

### TECHNICAL DATA

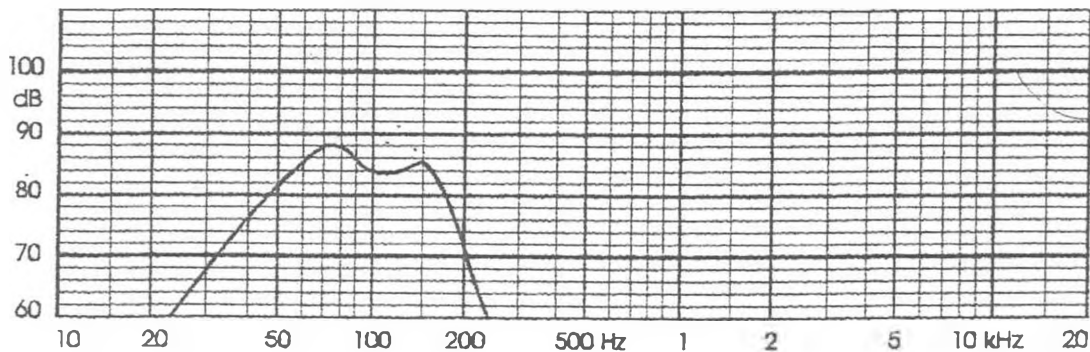
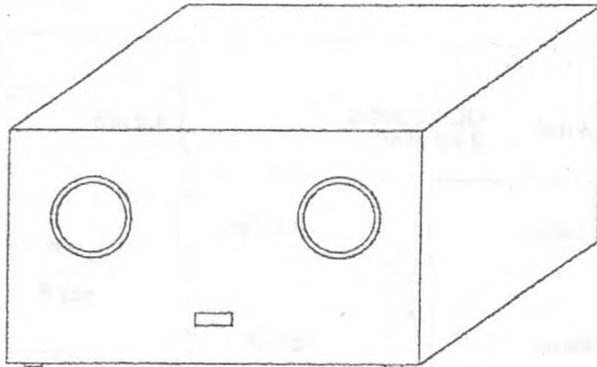
System type	band-pass
Rated impedance	2 x 6 $\Omega$
Rated frequency range	40 - 200 Hz
Rated input power	2 x 50 W
Max. input power	2 x 100 W
Sensitivity	85 dB
Crossover frequencies	— kHz
Loudspeakers:	

GDN 20/30/S - 2 x 8  $\Omega$

Dimensions  
Mass

415 x 340 x 250 mm  
10,5 kg

Finish: PVC



FREQUENCY RESPONSE CURVE  
Measured in anechoic room at 1W, 1m, free field.

# LOUDSPEAKER SYSTEM

## ZgN 50-6-511 (SUB 3,3)

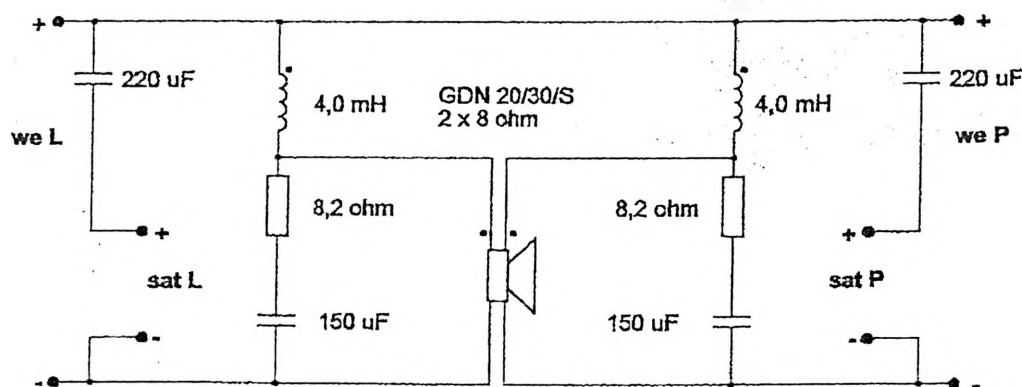
9 6111 244 02

### INDEKSY PODZESPOŁÓW SERWISOWYCH

GDN 20/30/S - 2 x 8 ohm  
Zwrotnica elektryczna

9 5151 275 05  
9 5291 144 15

8 4171 270 01



SCHEMAT ZWROTNICY ELEKTRYCZNEJ