

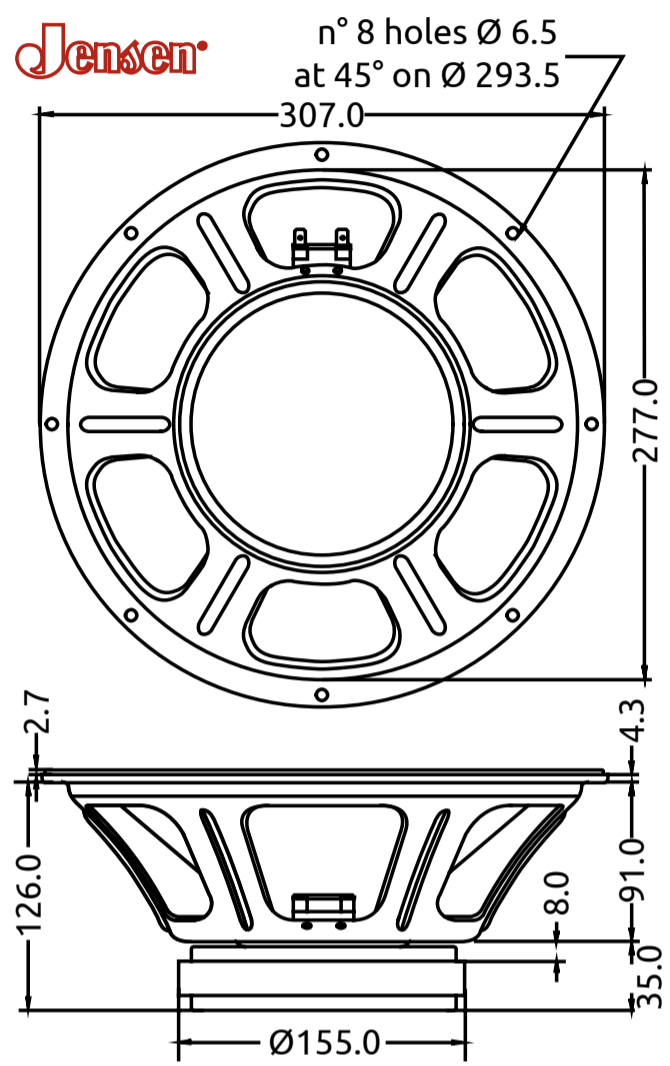
12" - 100 W Jet Series Loudspeaker  
**12" Raptor 100 - 8Ω / 16Ω**

General Characteristics		
Nominal Overall Diameter	12 mm	0.47 in
Nominal Voice Coil Diameter	2 mm	0.08 in
Magnet Weight	1450 g	51 oz
Overall Weight	4.5 kg	9.92 lbs
Flux Density		1.15 T

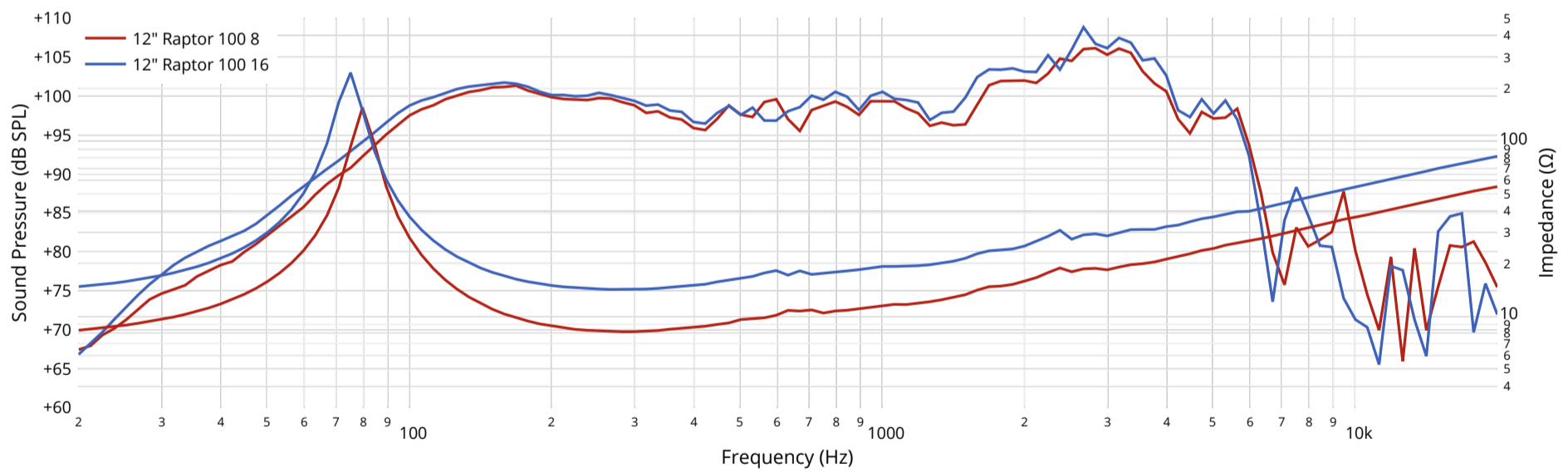
Electrical Characteristics	8Ω	16Ω	
Nominal Impedance	8	16	Ω
Rated Power	100	100	W
Musical Power	200	200	W
Sensitivity@1W,1m	99.4	98.6	dB

Thiele-Small Parameters		8Ω	16Ω	
Voice Coil DC Resistance	$R_E$	6.72	12.15	Ω
Resonance Frequency	$f_S$	77	76.5	Hz
Mechanical Q Factor	$Q_{MS}$	12.41	13.57	
Total Q Factor	$Q_{TS}$	0.45	0.59	
Mechanical Moving Mass	$M_{MS}$	31.1	30.4	g
Mechanical Compliance	$C_{MS}$	137	142	μm/N
Force Factor	$BxL$	14.72	16.91	Wb/m
Equivalent Acoustic Volume	$V_{AS}$	47	48.4	lt.
Diaphragm Area	$S_D$	490.9	490.9	cm <sup>2</sup>
Voice Coil Inductance @ 1kHz	$L_E$	0.8	1.15	mH

Constructive Characteristics		
Magnet		Ferrite
Voice Coil Winding		Copper
Voice Coil Former		Nomex
Cone Material		Paper
Surround Material		Integrated Paper
Dust Dome Material		Non-treated Cloth
Basket Material		Pressed Sheet Steel



Frequency Response on IEC Baffle (DIN45575) @ 1W, 1m - Free Air Impedance



Due to continuing product improvement, the features and the design are subject to change without notice.