

AL200

Visaton 20 cm (8") High-End woofer (1281)

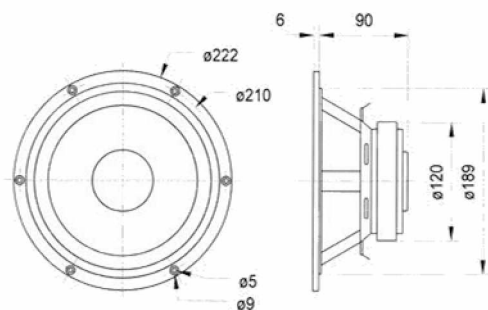
[BACK](#)



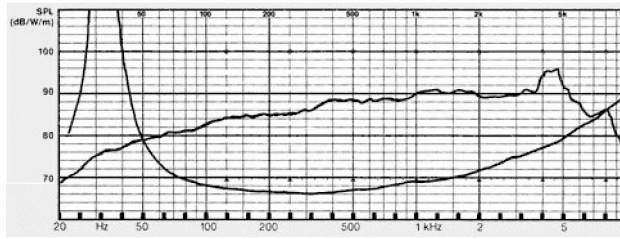
High-End woofer

20 cm (8") High-End woofer with stiff aluminium cone, solid aluminium die-cast basket and elastic rubber surround. Extremely low mechanical and electrical losses due to vented pole plate, vented damper and capton voice coil carrier. Fast pulse response due to light weight aluminium cone. Suitable for 2- and 3-way high ebd combinations and as low-midrange driver in 4-way high end systems.

Technical Data:	
Nominal power handling	120 Watt
Peak power handling	180 Watt
Nominal impedance	8 Ohm
Frequency response (-10 dB)	fu - 9000 Hz
(fu: Lower cut-off frequency depending on cabinet)	.
Mean sound pressure level	88 dB (1W/1m)
Maximum cone displacement	20 mm
Resonance frequency fs	32 Hz
Magnetic induction	1,3 Tesla
Magnetic flux	930 μ Weber
Height of front pole-plate	6 mm
Voice coil diameter	3,8 cm
Height of winding	2,2 cm
Cutout diameter	19 cm
Net weight	2,5 kg
D.C. resistance Rdc	6,7 Ohm
Mechanical Q factor Qms	3,92
Electrical Q factor Qes	0,35
Total Q factor Qts	0,32
Equivalent volume Vas	77 l
Effective piston area Sd	216 cm ²
Dynamically moved mass Mms	21 g
Force factor Bxl	8,82 T · m
Inductance of the voice coil L	1,2 mH



drawing



frequency response