

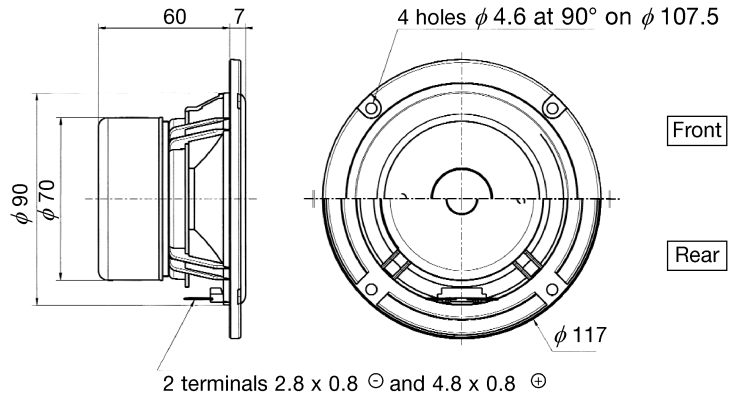
BASS MIDRANGE

102069R

AP100Z0 M08ZGP2511
102070J

Dec .98

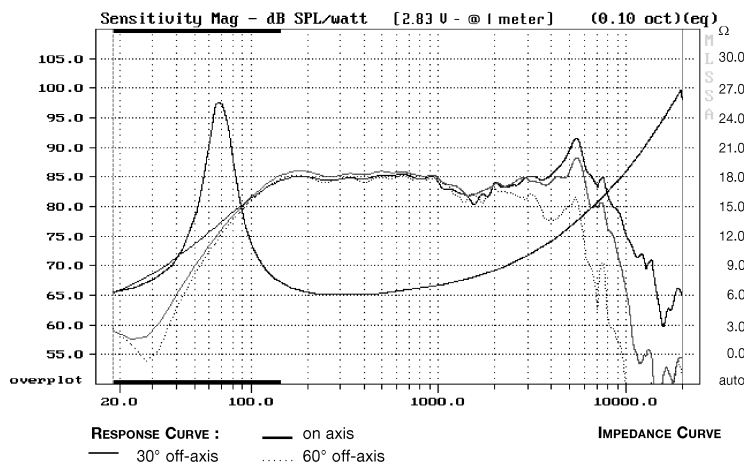
Shielded 4" HDA cone driver High impact polymer chassis



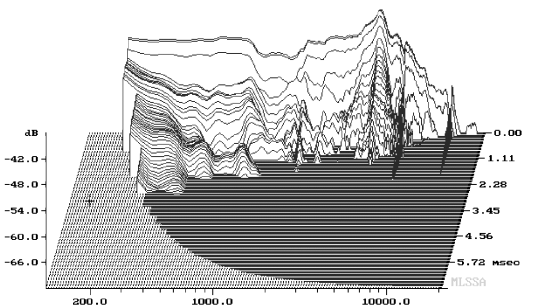
All dimensions in mm

- HDA (High Definition Aerogel) cone
- Fully shielded magnet system for audio video applications
- Non resonant high impact polymer chassis
- High loss rubber surround
- Built in cosmetic ring designed for front-rear and recessed mounting
- High temperature voice coil
- Aluminium former

Response Curve



Waterfall



Cumulative Spectral Decay Log Frequency - Hz

SPECIFICATIONS

Technical characteristics	Symbol	Value	Units
PRIMARY APPLICATION			
Nominal Impedance	Z	6	Ω
Resonance Frequency	Fs	64,0	Hz
Nominal Power Handling	P	30	W
Sensitivity (2,83 V - 1m)	E	84,7	dB
VOICE COIL			
Voice Coil Diameter	φ	25	mm
Minimum Impedance	Zmin	6,1	Ω
DC Resistance	Dcr	5,7	Ω
Voice Coil Inductance	Lbm	0,45	mH
Voice Coil Length	h	9,4	mm
Former	-	Aluminium	-
Number of Layers	n	2	-
Wire type	-	round	-

MAGNET

Magnet Dimensions	φ x h	60x10 _{31x09}	mm
Magnet Weight	m	0,105 _{0,1}	kg
Flux Density	B	1	T
Force Factor	BL	3,99	NA ⁻¹
Height of Magnetic Gap	He	4	mm
Stray Flux	Fmag	-	Am ⁻¹
Linear Excursion	Xmax	± 2,7	mm

PARAMETERS

Suspension Compliance	Cms	1329	μm/N
Mechanical Q Factor	Qms	2,16	-
Electrical Q Factor	Qes	0,63	-
Total Q Factor	Qts	0,49	-
Mechanical Resistance	Rms	0,86	kg s ⁻¹
Moving Mass	Mms	4,65	g
Effective Piston Area	S	50,27	cm ²
Volume Equivalent of Air at Cas	Vas	4,72	liters

Suggested Applications

Vb	Fb	Dp	Lp	F-3
liters	Hz	cm	cm	Hz
4	-	-	-	93,2
5	59,0	3	10	58,8