

BC/OC 5¼" Midwoofer



Type Number: BC14WG49-08

Features:

The BC/OC product line is known for its quality tweeters and midwoofers. Designed in Denmark by our experienced team of audio engineers, Peerless BC/OC products can meet the most demanding needs for both volume and audio excellence. The BC/OC product line has ferrofluid in the magnet gap for improved cooling of the driver.

Driver Highlights: Polymer-chassis, coated NRSC paper cone



Specs:

Electrical Data

Nominal impedance	Zn	8	ohm
Minimum impedance	Zmin	--	ohm
Maximum impedance	Zo	--	ohm
DC resistance	Re	5.6	ohm
Voice coil inductance	Le	0.63	mH

T-S Parameters

Resonance Frequency	fs	63	Hz
Mechanical Q factor	Qms	2.97	
Electrical Q factor	Qes	0.55	
Total Q factor	Qts	0.47	
Force factor	Bl	4.9	Tm
Mechanical resistance	Rms	--	Kg/s
Moving mass	Mms	6	g
Suspension compliance	Cms	--	mm/N
Effective cone diameter	D	--	cm
Effective piston area	Sd	80	cm ²
Equivalent volume	Vas	9.6	ltrs
Sensitivity (2.83V/1m)		87	dB
Ratio BL/√(Re)		--	
Ratio fs/Qts	F	--	

Power handling

100h RMS noise test (IEC)	--	W
Long-term Max Power (IEC 18.3)	110	W
Max linear SPL (rms) @ power	--	dB/W
Short Term Max power (IEC 18.2)	110	W

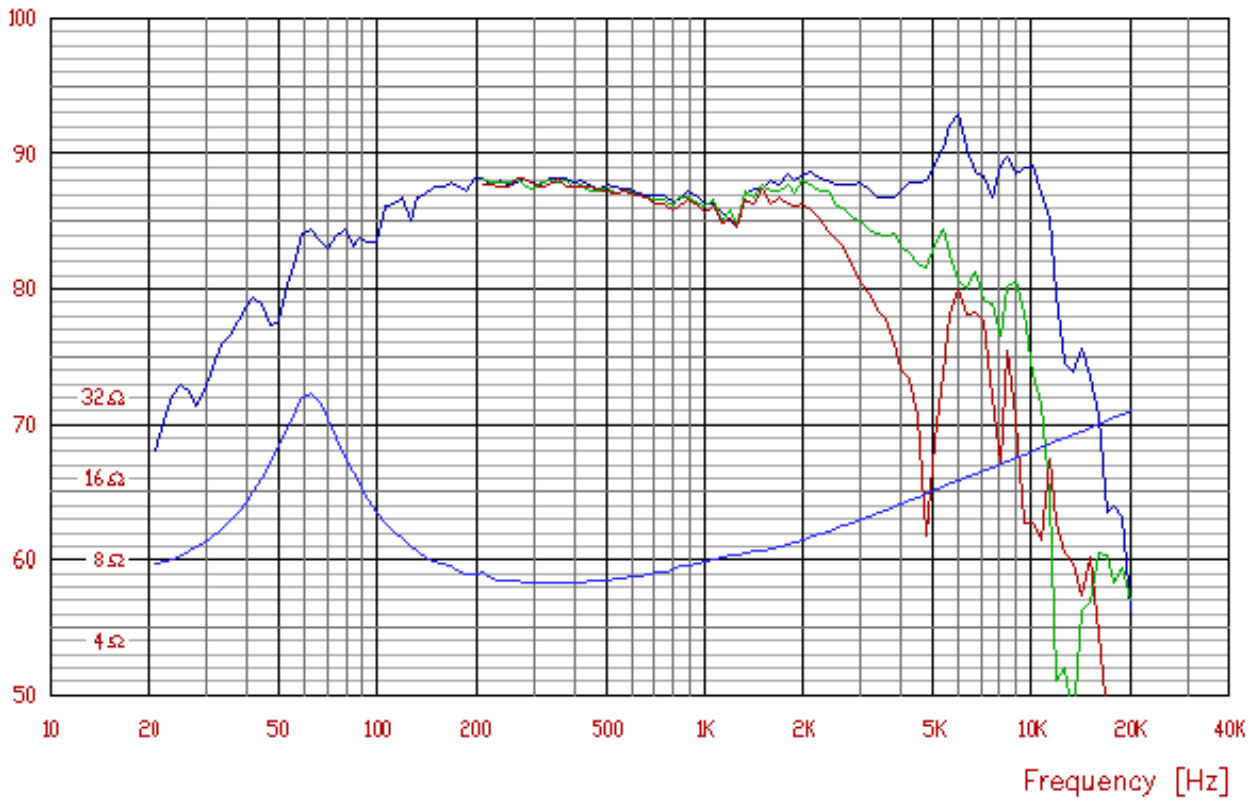
Voice Coil and Magnet Parameters

Voice coil diameter	25	mm
Voice coil height	10	mm
Voice coil layers	--	
Height of the gap	4	mm
Linear excursion +/-	--	mm
Max mech. excursion +/-	--	mm
Flux density of gap	--	mWb
Total useful flux	--	mWb
Diameter of magnet	--	mm
Height of magnet	--	mm
Weight of magnet	--	Kg

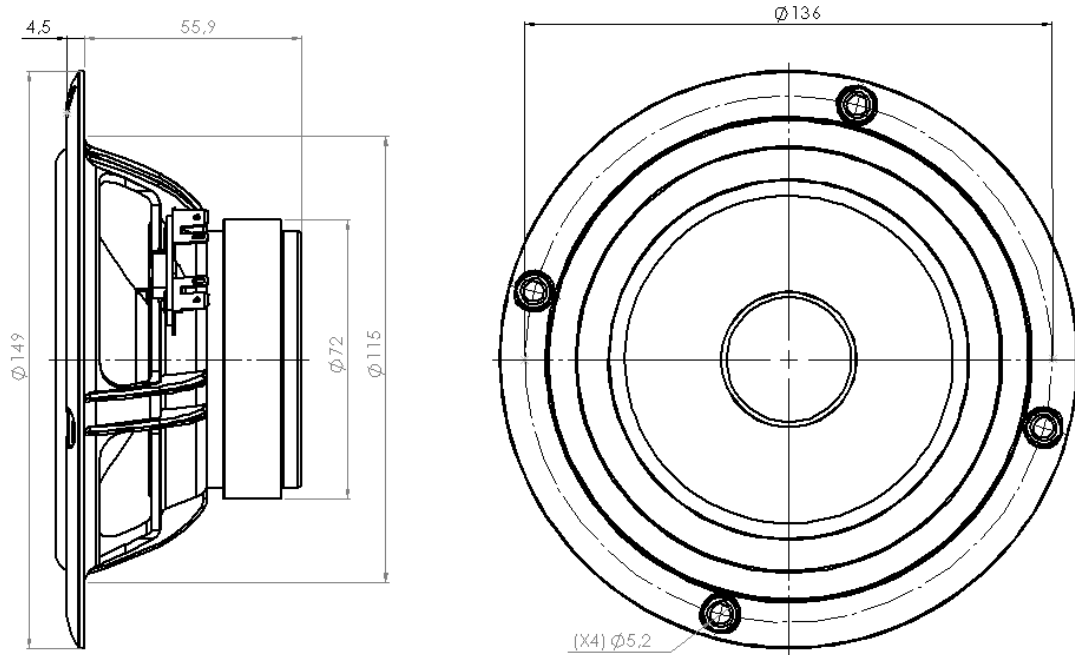
Notes:
IEC specs refer to IEC 60268-5 third edition.
All Tymphany products are RoHS compliant.

Frequency: BC14WG49-08

SPL [dB]



Mechanical Dimensions: BC14WG49-08



BC14WG49-04
BC14WG49-08