

## BC/OC 6½" Midwoofer



Type Number: BC18SG49-08

### Features:

The BC/OC product line is known for its quality tweeters and midwoofers. Designed in Denmark by our experienced team of audio engineers, Peerless BC/OC products can meet the most demanding needs for both volume and audio excellence. The BC/OC product line has ferrofluid in the magnet gap for improved cooling of the driver.

Driver Highlights: Polymer-chassis, coated NRSC paper cone, magnetically shielded



### Specs:

#### Electrical Data

Nominal impedance	Zn	8	ohm
Minimum impedance	Zmin	--	ohm
Maximum impedance	Zo	--	ohm
DC resistance	Re	5.7	ohm
Voice coil inductance	Le	0.82	mH

#### T-S Parameters

Resonance Frequency	fs	46.9	Hz
Mechanical Q factor	Qms	2.68	
Electrical Q factor	Qes	0.67	
Total Q factor	Qts	0.54	
Force factor	Bl	5	Tm
Mechanical resistance	Rms	--	Kg/s
Moving mass	Mms	10	g
Suspension compliance	Cms	--	mm/N
Effective cone diameter	D	--	cm
Effective piston area	Sd	138	cm <sup>2</sup>
Equivalent volume	Vas	31	ltrs
Sensitivity (2.83V/1m)		87	dB
Ratio BL/√(Re)		--	
Ratio fs/Qts	F	--	

#### Power handling

100h RMS noise test (IEC)	--	W
Long-term Max Power (IEC 18.3)	160	W
Max linear SPL (rms) @ power	--	dB/W
Short Term Max power (IEC 18.2)	200	W

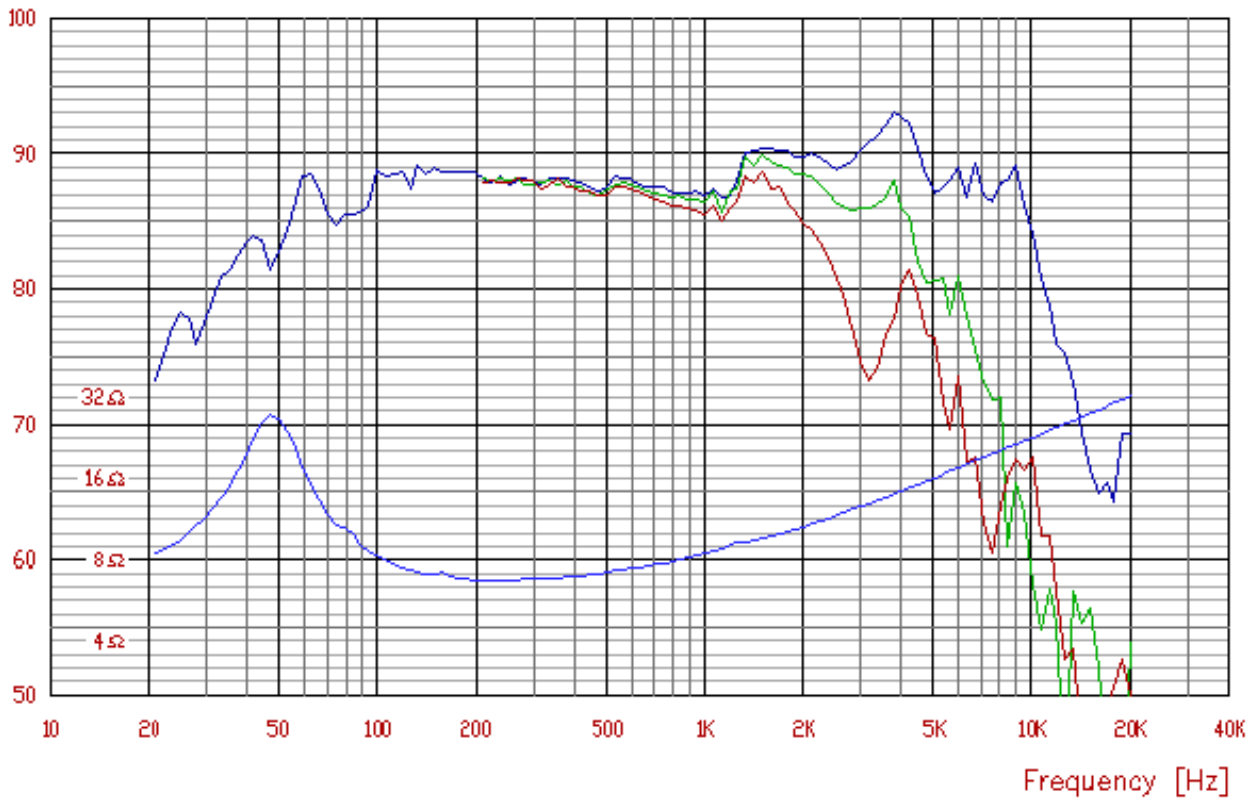
#### Voice Coil and Magnet Parameters

Voice coil diameter	25	mm
Voice coil height	11.8	mm
Voice coil layers	--	
Height of the gap	4	mm
Linear excursion +/-	--	mm
Max mech. excursion +/-	--	mm
Flux density of gap	--	mWb
Total useful flux	--	mWb
Diameter of magnet	--	mm
Height of magnet	--	mm
Weight of magnet	--	Kg

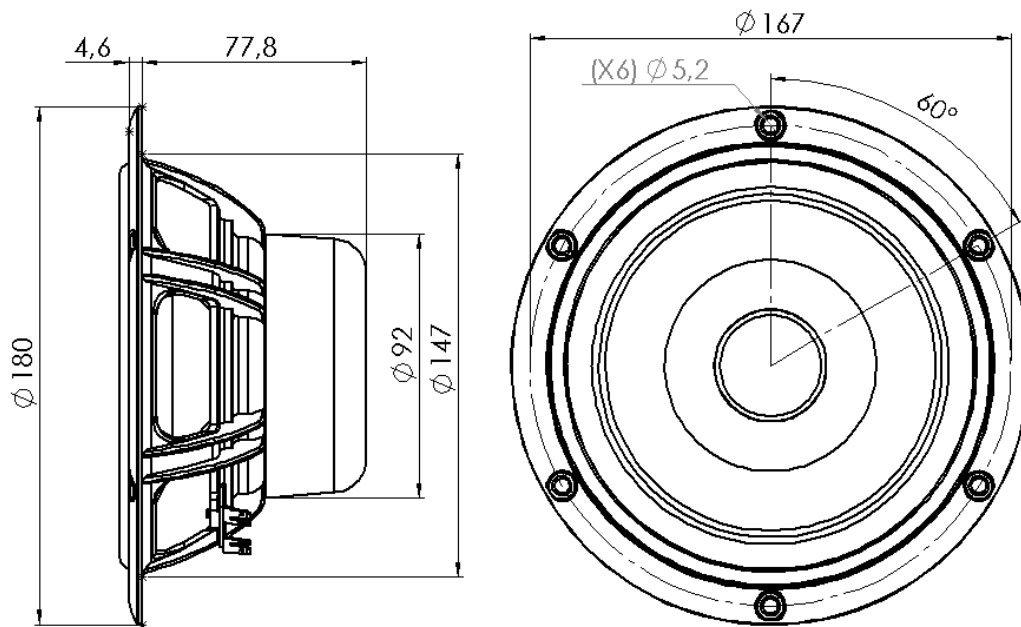
Notes:  
IEC specs refer to IEC 60268-5 third edition.  
All Tymphany products are RoHS compliant.

Frequency: BC18SG49-08

SPL [dB]



Mechanical Dimensions: BC18SG49-08



BC18SG49-04  
BC18SG49-08