



Part No: CLS0402MA-1

Date: 7/03/2007

Unit: mm

Description: speaker

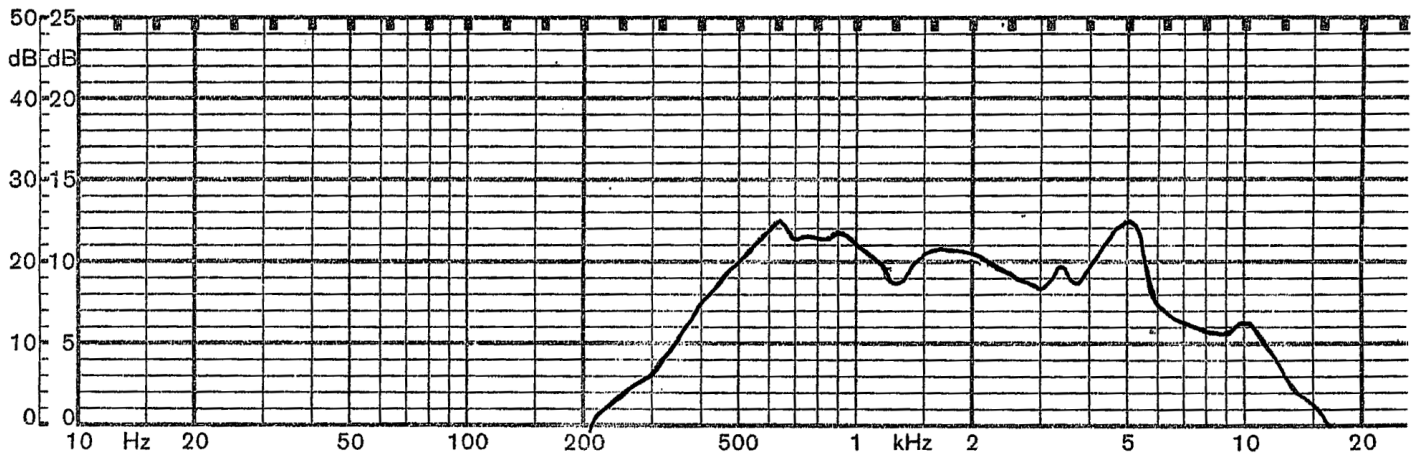
Page No: 1 of 2

Specifications

Nominal Size	40 mm	1 ½ inch.
Impedance	8 Ohm ± 15%	at 1 KHz 1 V
Resonant frequency	530 Hz ± 150 Hz	at 1 V
Sound pressure level	90 dB/w ± 3 dB	0.5 w 50 cm ave at 0.8K, 1K, 1.2K, 1.5K Hz
Response	Fo Hz ~ 6 KHz max 10 dB	
Input power	Nominal 0.5 W	Handling capacity 1.0 W
Operation	must be normal at program source 0.5 W	
Buzz, rattle, etc.	must be normal at sine wave 2.0 V	
Magnet	Size: 12.5 x 1.5 mm	
Load test	White noise 0.5 W	for 24 hours
Heat test	65 ± 2° C	20-50% R.H. 24 hours
Humidity test	40 ± 2° C	90-95% R.H. 24 hours

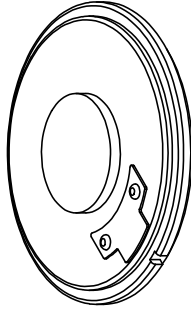
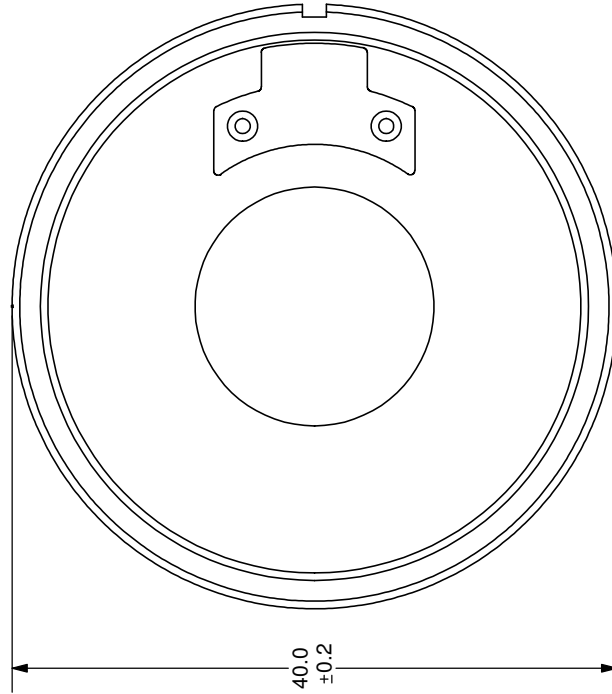
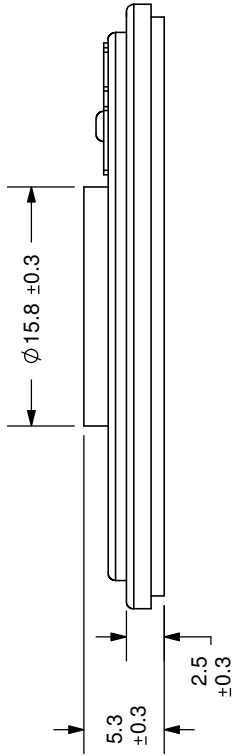
Frequency Response Curve

Potentiometer range	50 dB
Rectifier	RMS
Lower limit frequency	20 Hz
Wr. speed	100 mm/sec



Zero level 70 dB

REV.	DESCRIPTION	DATE
A	NEW DRAWING	7/3/2007



SCALE 1:1



TOLERANCE:
 $\pm 0.5\text{mm}$ UNLESS OTHERWISE
 SPECIFIED



CUI INC

20050 SW 112th Ave.
 Tualatin, OR 97062
 Phone: 503-612-2300
 800-275-4899
 Fax: 503-612-2383
 Website: www.cui.com

TITLE: LOW PROFILE SPEAKER	REV: A
PART NO: CLS0402MA-1	UNITS: MM [INCHES]
DRAWN BY: ZRJ	APPROVED BY:
	SCALE: 2:1