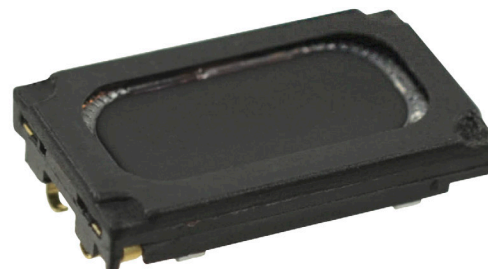


MODEL: CMS-160916A-SP | **DESCRIPTION:** SPEAKER

FEATURES

- micro-speaker
- small footprint
- low profile
- spring leads

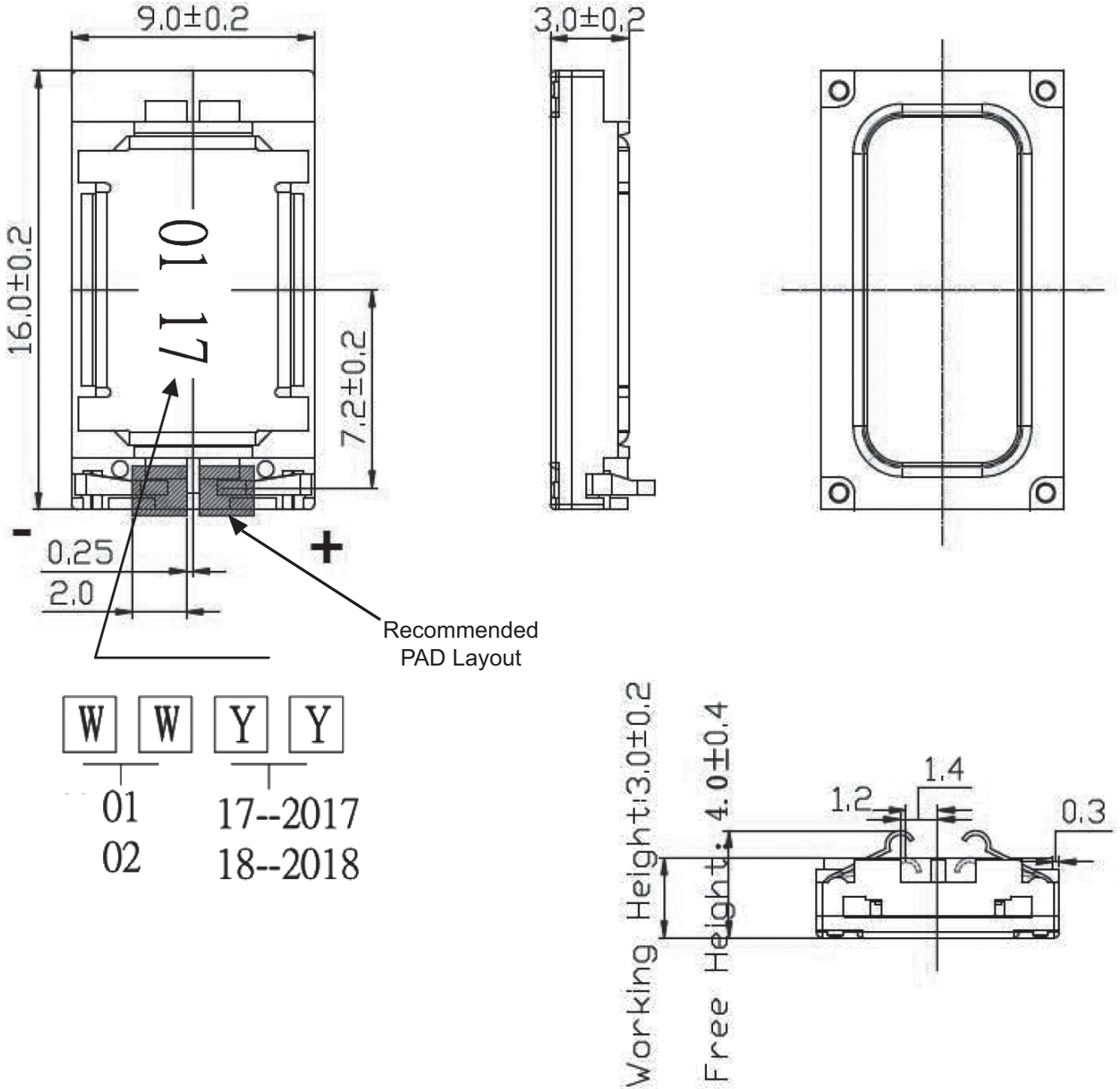

SPECIFICATIONS

| parameter | conditions/description | min | typ | max | units |
|-------------------------|-----------------------------------------------------------------------------------------------|--------------|------------|----------------|--------------------|
| input power | maximum power: IEC-60268-5, filter 60s on/120s off, 10 cycles at room temp in 1 cc closed box | | 0.8 | 1.0 | W |
| impedance | at 2.0 kHz | 5.1 | 6 | 6.9 | Ω |
| resonant frequency (Fo) | at 1.0 V at 1.0 V in 1 cc closed box | 552.5 765 | 650 900 | 747.5 1,035 | Hz Hz |
| frequency response | output SPL ± 10 dB | Fo | | 20,000 | Hz |
| sound pressure level | at 0.8 W, 0.1 m, at 2.0 kHz in 1 cc closed box | 85 | 88 | 91 | dB |
| distortion | at 1.0 kHz, 0.8 W | | | 15 | % |
| buzz, rattle, etc. | must be normal at sine wave between Fo ~ 20 kHz in 1 cc closed box | | 2.2 | | V |
| polarity | cone will move forward with positive dc current to "+" terminal | | | | |
| dimensions | 16 x 9.0 x 3.0 | | | | mm |
| magnet | Nd-Fe-B | | | | |
| material | PBT | | | | |
| cone material | mylar | | | | |
| terminal | spring contact | | | | |
| weight | | | 1.0 | | g |
| operating temperature | | -20 | | 75 | $^{\circ}\text{C}$ |
| storage temperature | | -30 | | 85 | $^{\circ}\text{C}$ |
| RoHS | 2011/65/EU | | | | |

Notes: 1. All specifications measured at 5~35 $^{\circ}\text{C}$, humidity at 45~85%, under 86~106 kPa pressure, unless otherwise noted.

MECHANICAL DRAWING

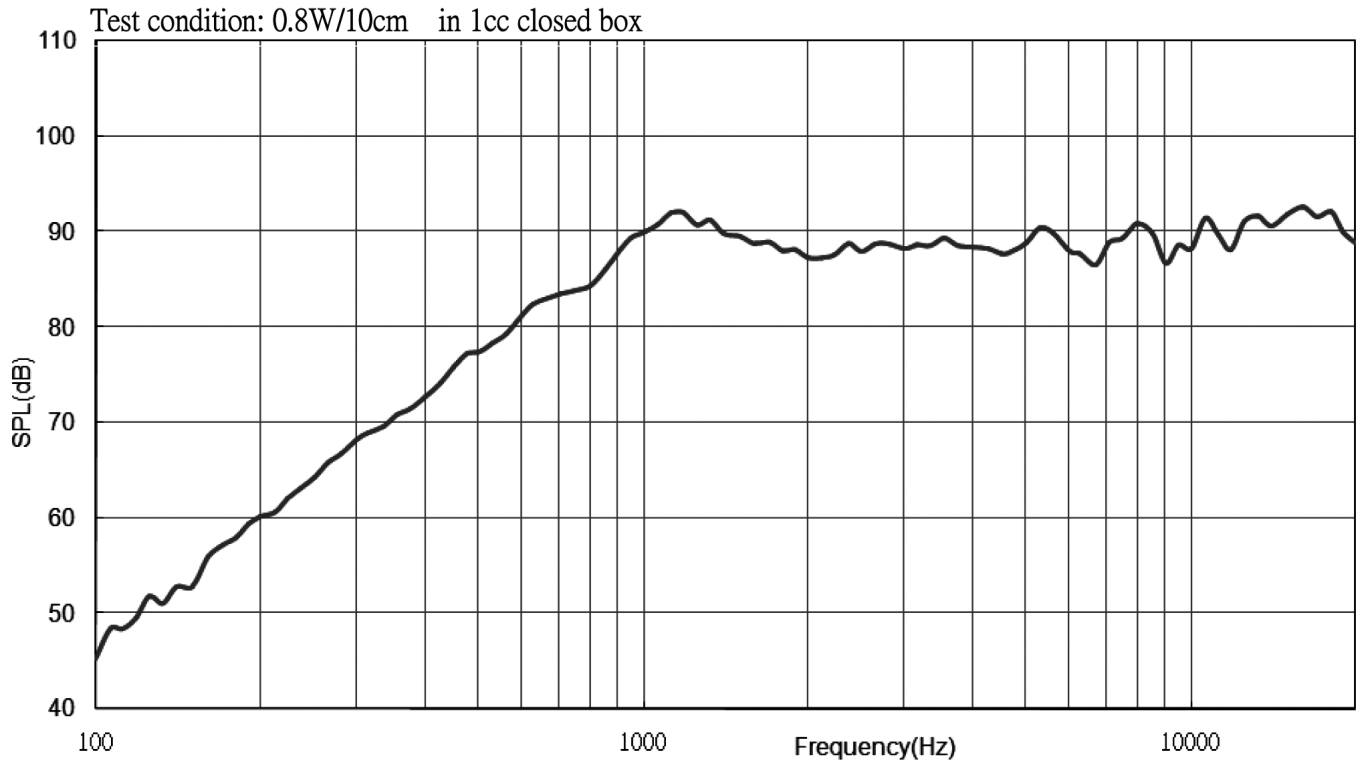
units: mm
tolerance: ± 0.2 mm



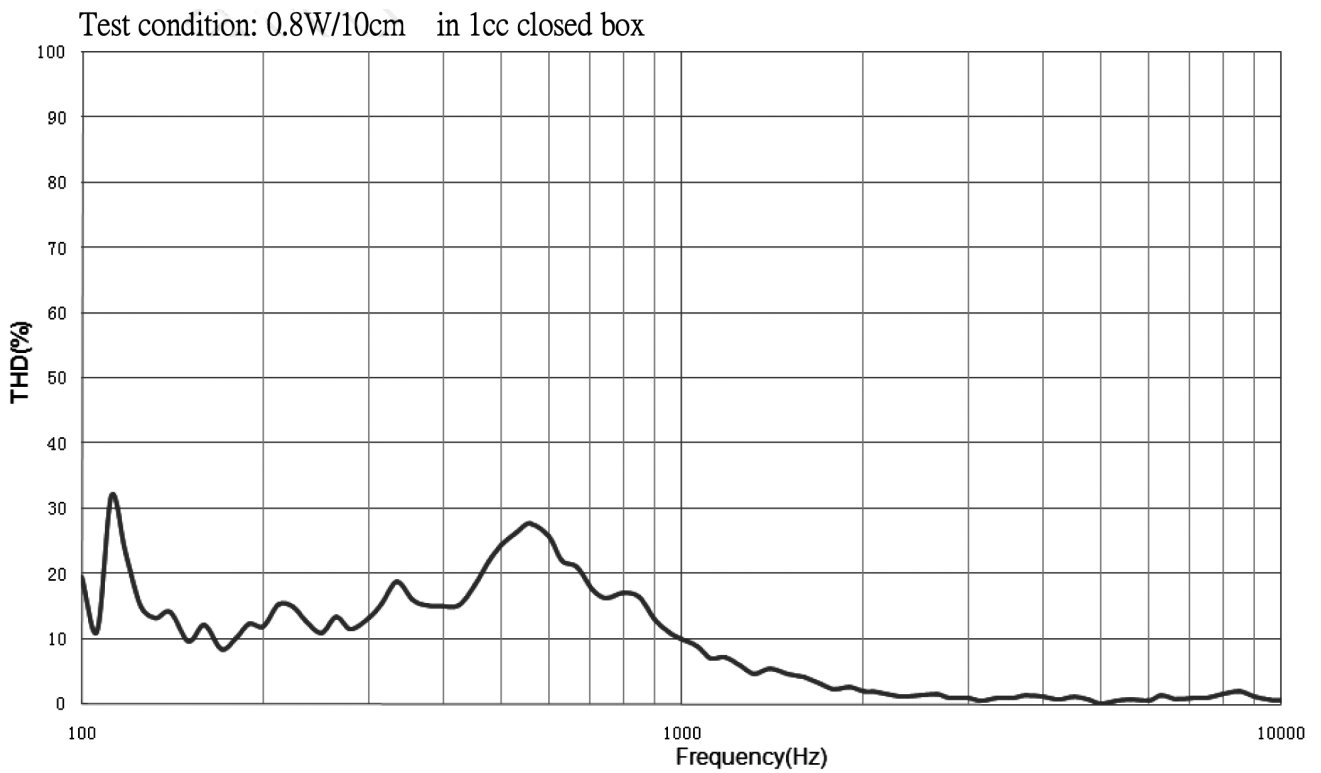
Note: 1. Maximum compression force between front frame and back frame & yoke is 5 N.

RESPONSE CURVES

Frequency Response Curve



Total Harmonic Distortion Curve

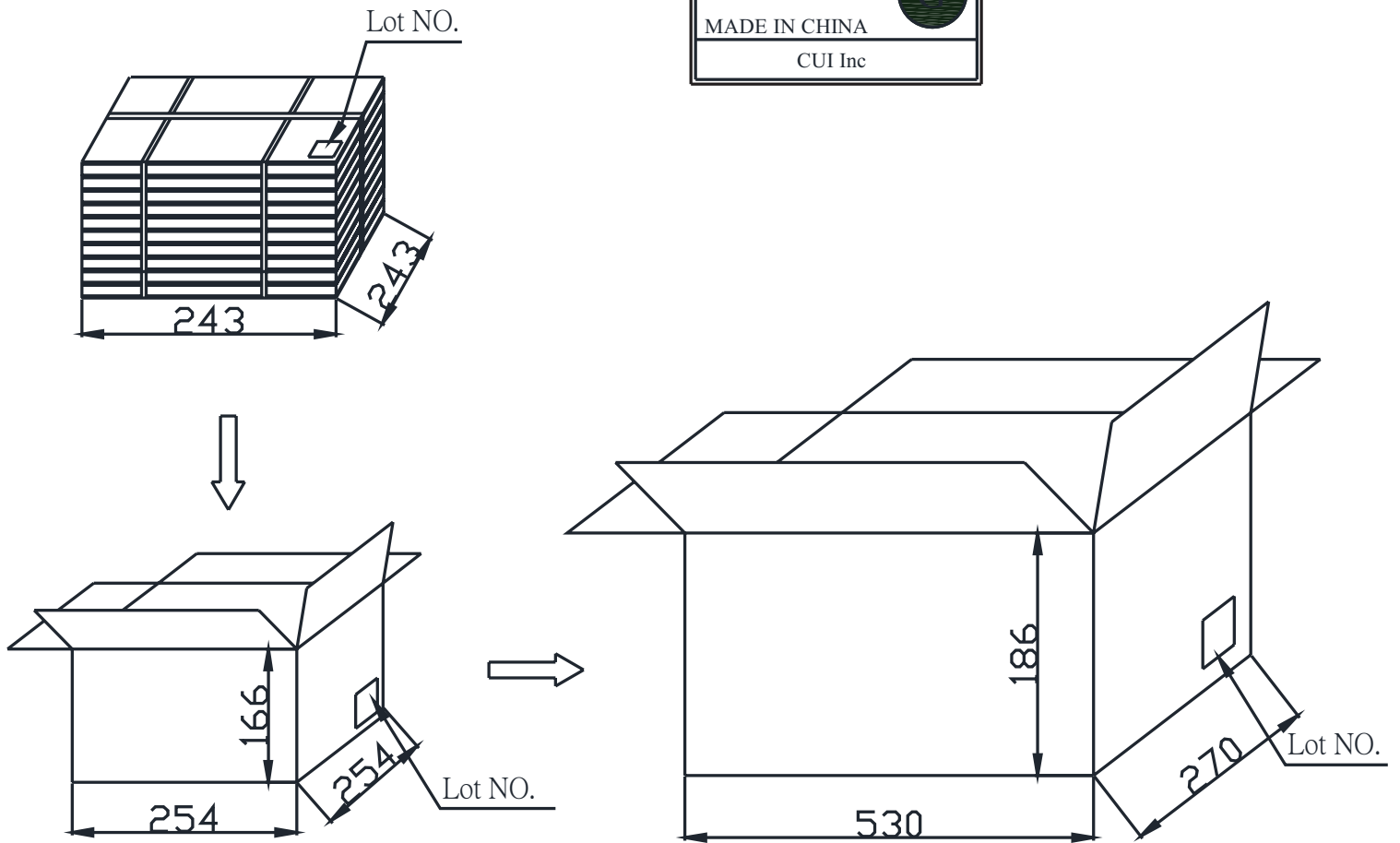


PACKAGING

units: mm

Tray Size: 243 x 243 x 10 mm
Carton Size: 530 x 270 x 186 mm
Tray QTY: 120 pcs per tray
Carton QTY: 3,600 pcs per carton

| | |
|---------------|-------------------------|
| Lot No. | XXXXXXXXXX |
| Model No. | CUI Inv#. CUI Part#. |
| Quantity. | XXXX Pcs |
| Date: | DD MM YY |
| MADE IN CHINA | |
| CUI Inc | |



REVISION HISTORY

| rev. | description | date |
|------|-----------------|------------|
| 1.0 | initial release | 07/06/2017 |

The revision history provided is for informational purposes only and is believed to be accurate.



CUI INC[®]

Headquarters
20050 SW 112th Ave.
Tualatin, OR 97062
800.275.4899

Fax 503.612.2383
cui.com
techsupport@cui.com

CUI offers a one (1) year limited warranty. Complete warranty information is listed on our website.

CUI reserves the right to make changes to the product at any time without notice. Information provided by CUI is believed to be accurate and reliable. However, no responsibility is assumed by CUI for its use, nor for any infringements of patents or other rights of third parties which may result from its use.

CUI products are not authorized or warranted for use as critical components in equipment that requires an extremely high level of reliability. A critical component is any component of a life support device or system whose failure to perform can be reasonably expected to cause the failure of the life support device or system, or to affect its safety or effectiveness.