

DX4x6P

Visaton oval 2-way coax speaker pair (4660)

[BACK](#)



General description

Oval 2-way coax speaker with polypropylene diaphragm and European standard basket. Integrated crossover (capacitor type) for the tweeter. Simple fitting in vehicles with cut-outs for 9 x 15 cm speakers.

Includes fitting materials.

Typical applications:

- Vehicles
- Mobile homes

Attributes:

- Moisturised cone
- Metal basket
- Coaxial speaker

Rated power 30 W

Maximum power 50 W

Nominal impedance 2.4 Ohm

Frequency response 65–22000 Hz

Mean sound pressure level 86 dB (1 W/1 m)

Maximum cone displacement 3 mm

Resonance frequency f_s 90 Hz

Magnetic induction 1 T

Magnetic flux 190 μ Wb

Height of front pole-plate 3 mm

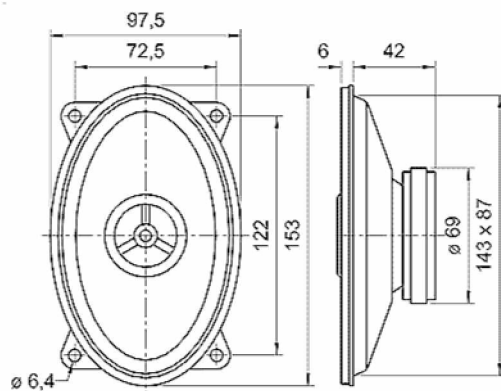
Voice coil diameter 20 mm / 14 mm

Height of winding 5 mm

Cutout diameter 88 x 144 mm (oval)

Net weight 0,423 kg

Heat resistance -25 ... 70 °C



drawing

