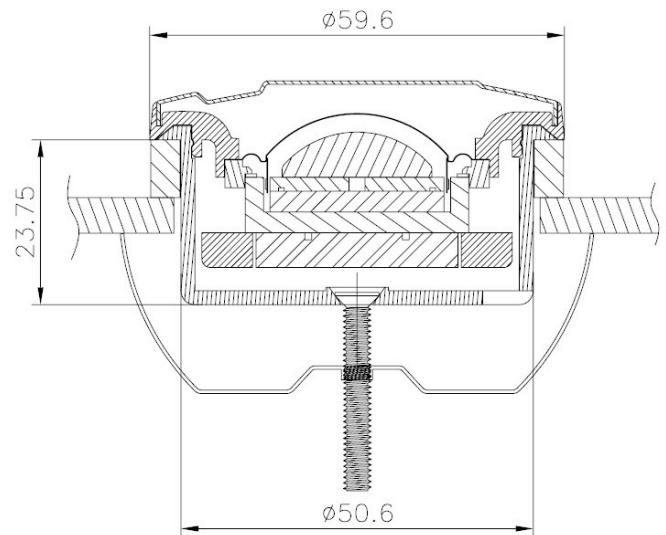


### Specifications

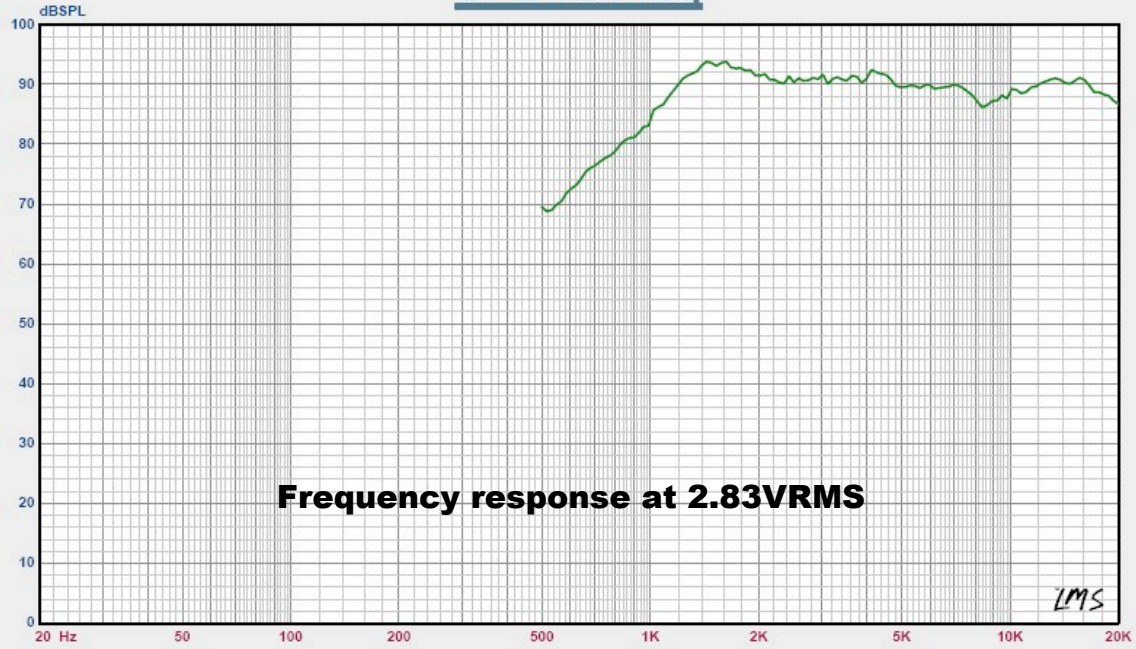
|                             |  |
|-----------------------------|--|
| <b>Diameter:</b>            | <b>1.0" (25mm)</b>                           |
| <b>Sensitivity:</b>         | <b>90dB</b>                                  |
| <b>Power Handling:</b>      | <b>50W; 100W Max<br/>400W Short Term Max</b> |
| <b>Frequency Response:</b>  | <b>2,000~ 20,000 Hz</b>                      |
| <b>Nominal Impedance:</b>   | <b>6 Ohms</b>                                |
| <b>Voice Coil Diameter:</b> | <b>26mm</b>                                  |
| <b>Xmax:</b>                | <b>0.3mm</b>                                 |
| <b>Magnet Weight:</b>       | <b>NEO</b>                                   |
| <b>Surround</b>             | <b>Integral</b>                              |
| <b>Frame</b>                | <b>Quick mount Cup</b>                       |
| <b>Dome</b>                 | <b>Cloth</b>                                 |
| <b>Mounting Hole:</b>       | <b>2.0"</b>                                  |
| <b>Outside Diameter:</b>    | <b>2.35"</b>                                 |
| <b>Mounting Depth:</b>      | <b>0.935" in cup</b>                         |



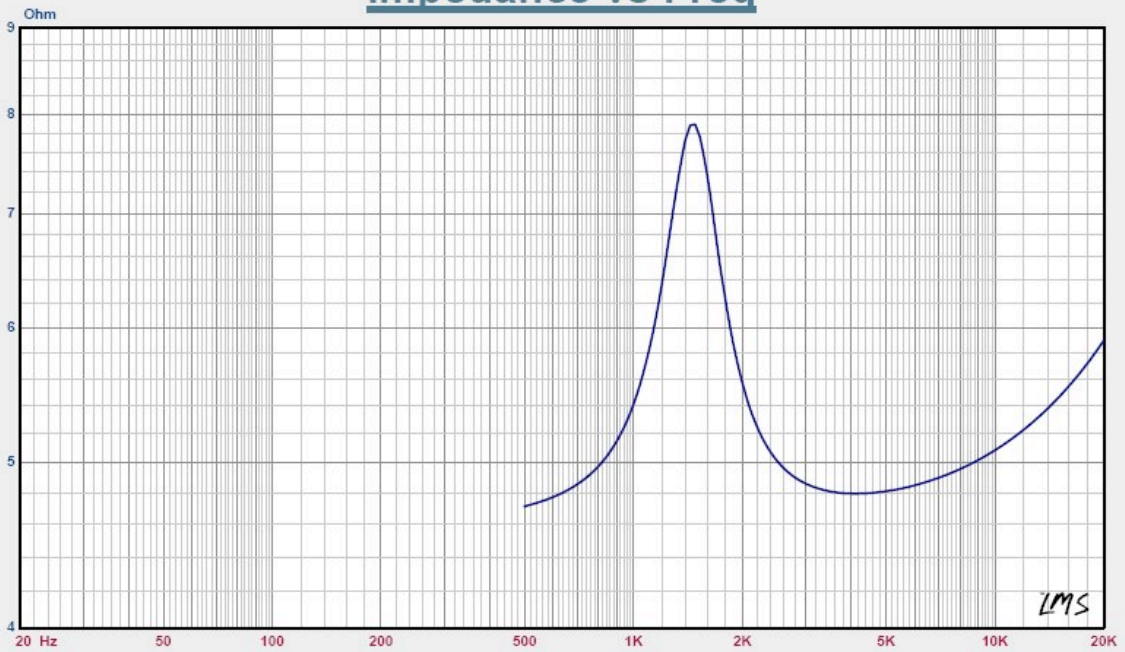
### Thiele-Small Parameters

|  |                 |
|--|-----------------|
| <b>Free Air Resonance:</b>                 | <b>1500 Hz</b>  |
| <b>Voice Coil DC Resistance:</b>           | <b>4.6 ohms</b> |
| <b>Voice Coil Inductance @ 1 kHz:</b>      | <b>0.05 mH</b>  |
| <b>Mechanical Q (<math>Q_{ms}</math>):</b> | <b>2.74</b>     |
| <b>Electrical Q (<math>Q_{es}</math>):</b> | <b>3.86</b>     |
| <b>Total Q (<math>Q_{ts}</math>):</b>      | <b>1.6</b>      |
| <b>Max. Impedance at resonance:</b>        | <b>7.9 ohms</b> |

## SPL vs Freq



## Impedance vs Freq



— 30: ES-01 PARAMETER

Revo=4.600 Ohm Fo=1.467K Hz

Qms= 2.746 Qes= 3.856 Qts= 1.604

Krm=45.125n Ohm Erm=1.439

Kxm=7.708m H Exm=0.402