

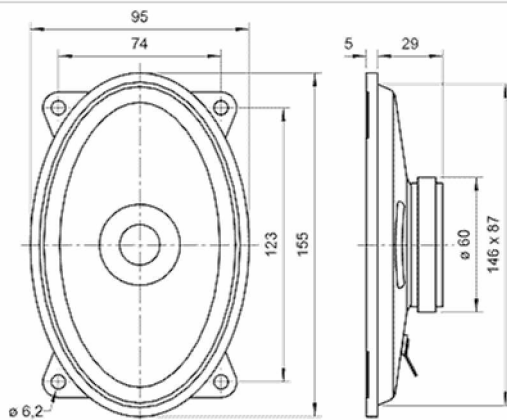
FR9.15

Visaton oval full-range driver (9x15 cm) (2054)

[BACK](#)



General description
Oval full-range driver (9 x 15 cm). Well-balanced frequency response makes this speaker ideal for both voice and music reproduction e.g. extremely well suited to use in vehicles. Minimum depth required.
Typical applications: - Vehicles of all types (road or rail), e.g. mobile homes, trams etc.
Attributes : - Moisturised cone - Metal basket
Rated power 15 W Maximum power 30 W Nominal impedance 2.4 Ohm Frequency response 75–16000 Hz Mean sound pressure level 85 dB (1 W/1 m) Maximum cone displacement 3 mm Resonance frequency f_s 120 Hz Magnetic induction 0,9 T Magnetic flux 170 μ Wb Height of front pole-plate 3 mm Voice coil diameter 20 mm Height of winding 5 mm Cutout diameter 146 x 87 mm (oval) Net weight 0,277 kg D.C. resistance R_{dc} 3,5 Ohm Mechanical Q factor Q_{ms} 8,90 Electrical Q factor Q_{es} 2,29 Total Q factor Q_{ts} 1,82 Equivalent volume V_{as} 2,9 l Effective piston area S_d 79 cm ² Dynamically moved mass M_{ms} 4,6 g Force factor B_{xl} 2,3 T m Inductance of the voice coil L 0,3 mH Heat resistance -25 ... 70 °C



drawing

