

## FRS7W

Visaton 6.5 cm (2.5") full range speaker (2017)

[BACK](#)



### General description

6.5 cm (2.5") full-range speaker with balanced frequency response and very good highs. Especially suitable as built-in speaker for music reproduction and as driver for 100 V network column speakers. Very low resonance frequency and maximum cone displacement.

### Typical applications :

- Narrow network column speakers
- Control speakers for electronic devices
- Model construction
- Electronic musical instruments

### Attributes :

- Metal basket
- 100 °C temperature resistant

Rated power 8 W

Maximum power 15 W

Nominal impedance 2 8 Ohm

Frequency response 120–20000 Hz

Mean sound pressure level 86 dB (1 W/1 m)

Maximum cone displacement 8 mm

Resonance frequency  $f_s$  160 Hz

Magnetic induction 1,1 T

Magnetic flux 120  $\mu$ Wb

Height of front pole-plate 2,5 mm

Voice coil diameter 14 mm

Height of winding 4,5 mm

Cutout diameter 61 mm

Net weight 0,22 kg

D.C. resistance  $R_{dc}$  6,6 Ohm

Mechanical Q factor  $Q_{ms}$  2,08

Electrical Q factor  $Q_{es}$  0,91

Total Q factor  $Q_{ts}$  0,63

Equivalent volume  $V_{as}$  0,78 l

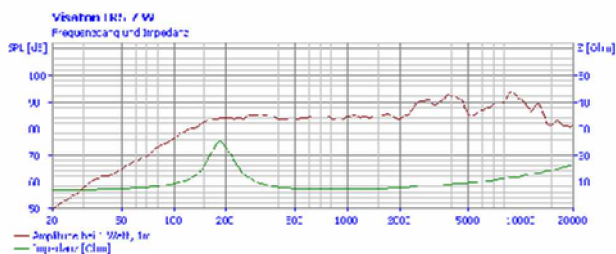
Effective piston area  $S_d$  22  $cm^2$

Dynamically moved mass  $M_{ms}$  0,9 g

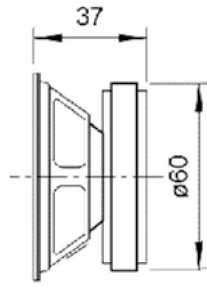
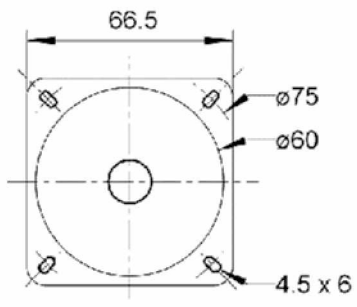
Force factor  $B_{xl}$  2,5 Tm

Heat resistance -25 ... 100 °C

Frequency response (-10 dB) 120-20000 Hz



frequency response



FRS 7 W  
03.01.2007