

FRS8M

Visaton 8 cm (3.3") HiFi fullrange driver (2001)

[BACK](#)



General description

8 cm (3.3") fullrange speaker with high force factor and good sensitivity. Special developed for use in column-speakers and small bass-reflex cabinets, e.g. in miniature subwoofer / satellite systems.

Typical applications :

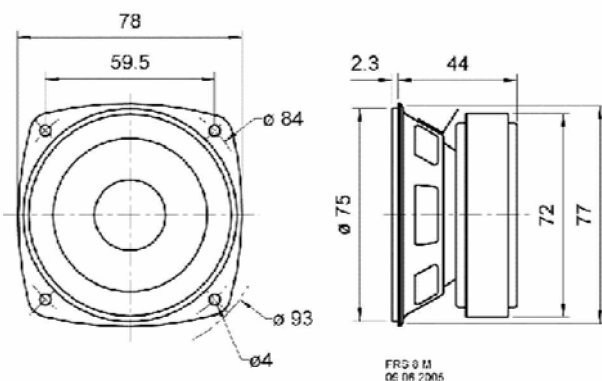
- Column speakers
- Mini hi-fi systems

Attributes :

- Moisturised cone
- Metal basket

Technical Data:

Rated power 30 Watt
Maximum power 50 Watt
Nominal impedance 2.8 Ohm
Frequency response 100–20000 Hz
Mean sound pressure level 88 dB (1 W/1 m)
Maximum cone displacement 5 mm
Resonance frequency f_s 125 Hz
Magnetic induction 1.2 T
Magnetic flux 225 μ Wb
Height of front pole-plate 3 mm
Voice coil diameter 20 mm
Height of winding 4 mm
Cutout diameter 75 mm
Net weight 0,5 kg
D.C. resistance R_{dc} 7,2 Ohm
Mechanical Q factor Q_{ms} 3,24
Electrical Q factor Q_{es} 0,58
Total Q factor Q_{ts} 0,49
Equivalent volume V_{as} 1,1 l
Effective piston area S_d 29 cm²
Dynamically moved mass M_{ms} 1,8 g
Force factor B_{xl} 4 T m
Inductance of the voice coil L 0,3 mH
Heat resistance -25 ... 70 °C



drawing

Vision: FDS 8 M 8 Ohm
Frequenzgang und Impedanz

