

FRWS5R

Visaton 5 cm (2") HiFi fullrange driver (2212)

[BACK](#)



General description

5 cm (2") fullrange speaker with round basket, soft surround and special light weight cone. Balanced frequency response above 250 Hz, brilliant highs and good omnidirectional sound distribution. Suitable as midrange driver in column speaker systems for HiFi applications as well as for 100 V sound reinforcement systems. Due to the small size also suitable for model construction and as control speaker for electronic devices.

Typical applications:

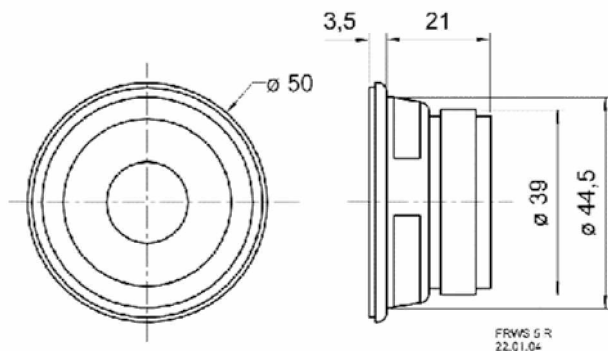
- Very narrow network column speakers
- Control speaker for electronic devices
- Model construction

Attributes :

- Moisturised cone
- Metal basket

Technical Data:

Rated power 4 W
Maximum power 10 W
Nominal impedance 8 Ohm
Frequency response 150–20000 Hz
Mean sound pressure level 84 dB (1 W/1 m)
Maximum cone displacement 4 mm
Resonance frequency f_s 330 Hz
Magnetic induction 0,75 T
Magnetic flux 65 μ Wb
Height of front pole-plate 2 mm
Voice coil diameter 14 mm
Height of winding 2,7 mm
Cutout diameter 45 mm
Net weight 0,087 kg
D.C. resistance R_{dc} 6,8 Ohm
Mechanical Q factor Q_{ms} 3,31
Electrical Q factor Q_{es} 3,22
Total Q factor Q_{ts} 1,63
Equivalent volume V_{as} 0,1 l
Effective piston area S_d 12 cm²
Dynamically moved mass M_{ms} 0,5 g
Force factor B_{xl} 1,4 T m
Inductance of the voice coil L 0,1 mH
Heat resistance -25 ... 70 °C



drawing

Vibration IRW. 5 1111km
Frequencia y desplazamiento

