

G20SC

Visaton magnetically shielded 20 mm (0.8") High-end textile dome unit

[BACK](#)

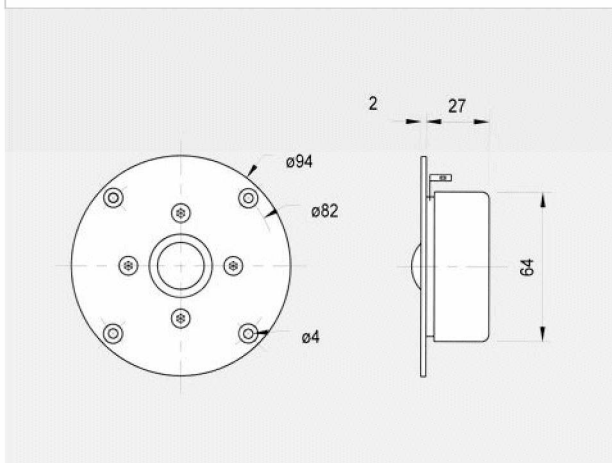


General description

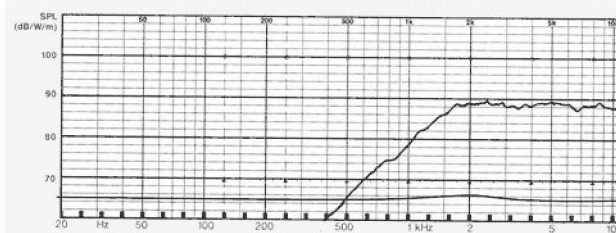
Magnetically shielded 20 mm (0.8") High-end textile dome unit for use at tweeter frequencies of 3,000 Hz and above. The optimized dome shape and damping felt on the pole piece ensures a very balanced frequency response without resonance and excellent omnidirectional sound distribution. The powerful magnet drive and Ferro-fluid cooled voice coil guarantee both high efficiency and excellent power handling capabilities.

Technical Data:

Nominal power handling with high pass	80 Watt (12 dB/Okt.; 3000 Hz)
Peak power handling with high pass	140 Watt (12 dB/Okt.; 3000 Hz)
Nominal impedance	8 Ohm
Frequency response (-10 dB)	1200 - 30000 Hz
Mean sound pressure level	88 dB (1W/1m)
Resonance frequency fs	1800 Hz
Voice coil diameter	2 cm
Height of winding	0,2 cm
Cutout diameter	6,6 cm
Net weight	0,388 kg
D.C. resistance Rdc	5,1 Ohm
Mechanical Q factor Qms	1,04
Electrical Q factor Qes	3,12
Total Q factor Qts	0,78
Effective piston area Sd	3 cm ²
Dynamically moved mass Mms	0,15 g
Inductance of the voice coil L	0,04 mH



drawing



frequency response