

G25ND

Visaton 25 mm (1") textile dome unit 8 Ohm

[BACK](#)

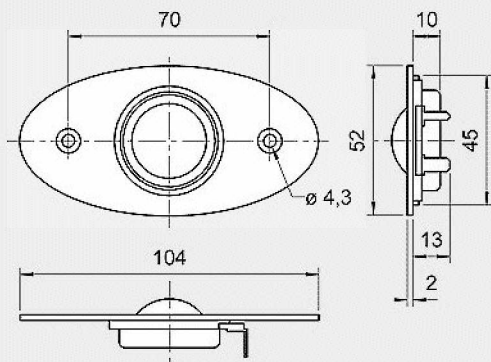


General description

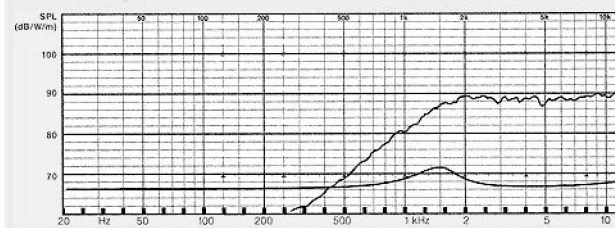
25 mm (1") textile dome unit with an oval front plate. This highly efficient neodymium magnet arrangement enables both minimum fitting dimensions and maximum magnetic shielding. Can be used above approx. 2000 Hz. The ferrofluid in the air gap guarantees high power handling capability even at this low separating frequency.

Technical Data:

Nominal power handling with high pass	80 W (12 dB/Okt.; 3000 Hz)
Peak power handling with high pass	120 W (12 dB/Okt.; 3000 Hz)
Nominal impedance	8 Ohm
Frequency response (-10 dB)	1000 - 30000 Hz
Mean sound pressure level	89 dB (1W/1m)
Resonance frequency f_s	1500 Hz
Voice coil diameter	25 mm
Cutout diameter	45 mm
Net weight	72 g
D.C. resistance R_{dc}	6,1 Ohm
Mechanical Q factor Q_{ms}	1,83
Electrical Q factor Q_{es}	1,98
Total Q factor Q_{ts}	0,95
Effective piston area S_d	5,0 cm ²
Inductance of the voice coil L	0,06 mH



drawing



frequency response