

# FULL RANGE LOUDSPEAKER GD 13/30/1

9 5157 085

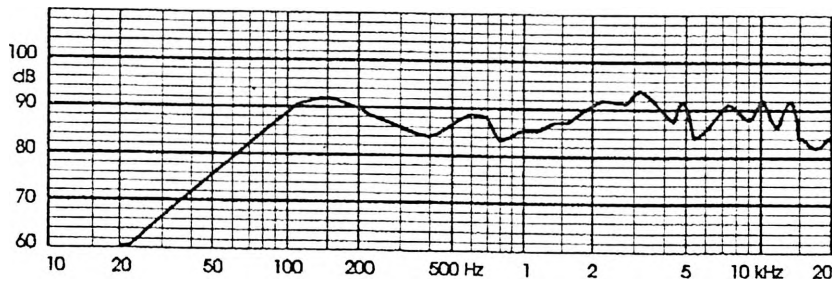
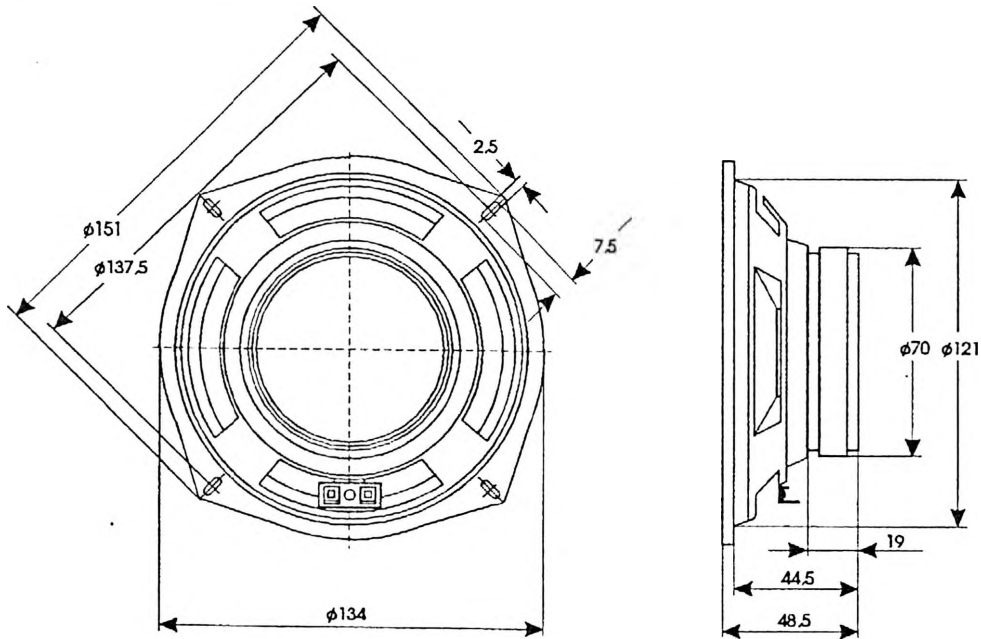
## TECHNICAL DATA

Rated impedance	4 $\Omega$
Voice coil resistance	3,4 $\Omega$
Rated frequency range	60 to 20000 Hz
Resonance frequency	70 Hz
Power handling capacity, /loudspeaker unmouted, 100h continuous/	30 W
Max. power	60 W
Sensitivity	89 dB
Flux density	0,76 T
Energy in air gap	87,4 mJ
Air - gap	25/4,6/1,125 mm
Voice coil height	6,8 mm
Magnet	
- material	ferite
- dimensions	70/32/10 mm
- mass	0,151 kg
Mass of loudspeaker	0,51 kg

The loudspeaker has a double cone  
Connection is by 2,8mm x 0,8mm and 4,8mm x 0,8mm tag connectors or by soldering.

## AVAILABLE VERSIONS

- GD 13/30/1 - 4 $\Omega$ , catalogue number 9 5157 085 01



FREQUENCY RESPONSE CURVE  
Measured in anechoic room at 1W/1m. Loudspeaker mounted  
on IEC baffle