

FULL RANGE LOUDSPEAKER GD 5-9/8/3

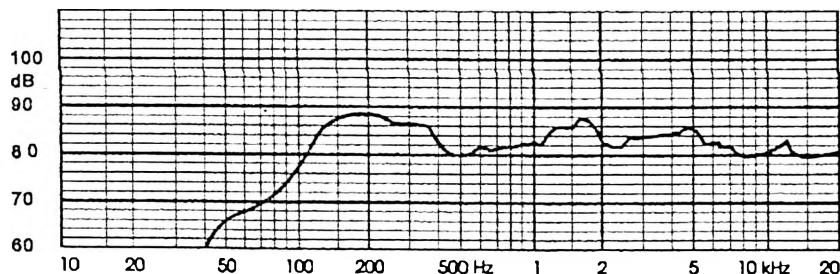
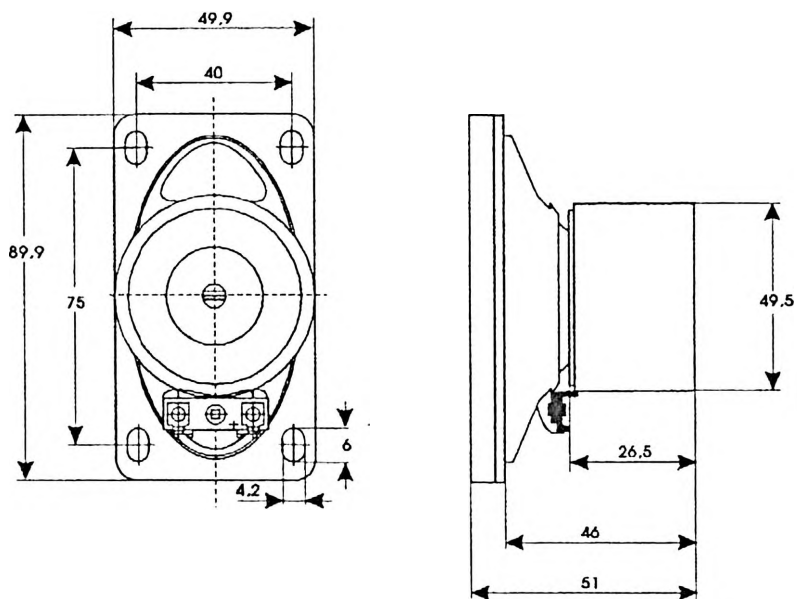
9 5111 033

TECHNICAL DATA

Rated impedance	8	Ω
Voice coil resistance	6,4	Ω
Rated frequency range	130 to 15000	Hz
Resonance frequency	165	Hz
Power handling capacity / loudspeaker unmounted , 100 h continuous /	8	W
Max. power	10	W
Sensitivity	84	dB
Flux density	0,72	T
Energy in air gap	35,12	mJ
Air - gap	14/4/0,91	mm
Voice coil height	5,1	mm
Magnet		
- material	femite	
- dimensions	2x39/22,5/9	mm
- mass	2x0,036	kg
Mass of loudspeaker	0,25	kg

AVAILABLE VERSIONS

- GD 5-9/8/3 - 8 Ω , catalogue number 9 5111 033 10



FREQUENCY RESPONSE CURVE
Measured in anechoic room at 1W/1m. Loudspeaker mounted
on IEC baffle.