

FULL RANGE LOUDSPEAKER GD 6/0,5

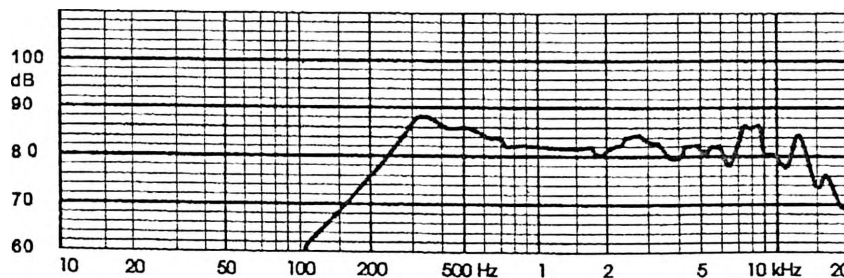
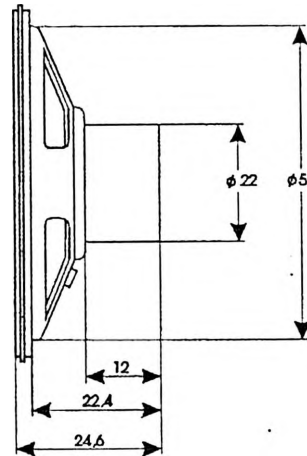
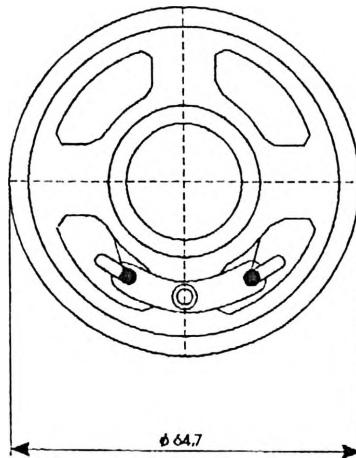
9 5115 009

TECHNICAL DATA

Rated impedance	4	8	15	Ω
Voice coil resistance	3,6	7,3	13,7	Ω
Rated frequency range	300 to 5000		300 to 4500	Hz
Resonance frequency			300	Hz
Power handling capacity / loudspeaker unmounted, 100h continuous/			0,5	W
Max. power			0,75	W
Sensitivity	89		88	dB
Flux density			0,53	T
Energy in air gap	10,1		11,46	mJ
Air - gap	13/3/0,7		13/4/0,6	mm
Voice coil height	3		4	mm
Magnet				
- material				cobalt
- dimensions				13 x 12
- mass				$11,5 \times 10^{-3}$
Mass of loudspeaker				0,065 kg

AVAILABLE VERSIONS

- GD 6/0,5 - 4Ω, catalogue number 9 5115 009 05
- GD 6/0,5 - 8Ω, catalogue number 9 5115 009 01
- GD 6/0,5 - 15Ω, catalogue number 9 5115 009 03



FREQUENCY RESPONSE CURVE

Measured in anechoic room at 0,1 W/0,5m. Loudspeaker mounted on IEC baffle.