

FULL RANGE LOUDSPEAKER GD 8/1

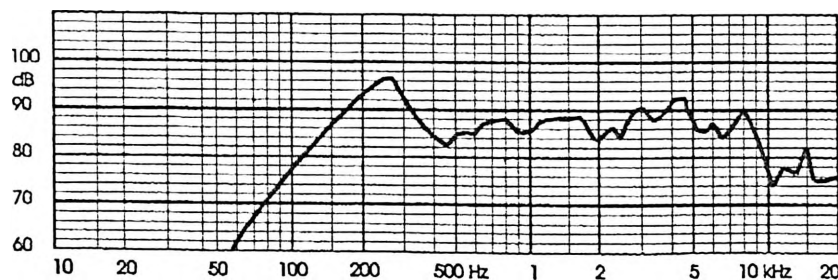
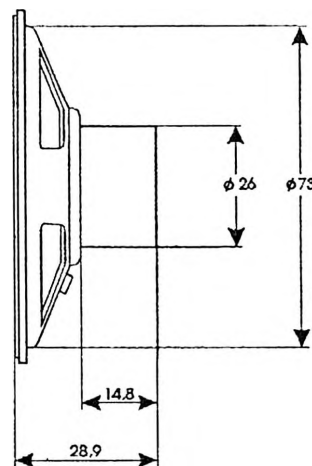
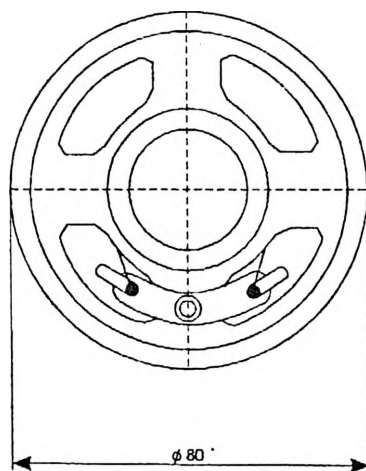
9 5115 017

TECHNICAL DATA

Rated impedance	4	8	15	25	Ω
Voice coil resistance	3,6	6,9	13,7	22,7	Ω
Rated frequency range	150 to 9000				Hz
Resonance frequency	230			250	Hz
Power handling capacity / loudspeaker unmounted, 100h continuous/		1			W
Max. power		1,5			W
Sensitivity	88		86	88	dB
Flux density		0,51			T
Energy in air gap		15,04			mJ
Air - gap		13,98/4,5/0,685			mm
Voice coil height	5,3	4,9		5,5	mm
Magnet					
- material		cobalt			
- dimensions		13,98 x 10			mm
- mass		14,4 x 10 ⁻³			kg
Mass of loudspeaker		0,1			kg

AVAILABLE VERSIONS

- GD 8/1 - 4Ω, catalogue number 9 5115 017 05
- GD 8/1 - 8Ω, catalogue number 9 5115 017 01
- GD 8/1 - 15Ω, catalogue number 9 5115 017 09
- GD 8/1 - 25Ω, catalogue number 9 5115 017 13



FREQUENCY RESPONSE CURVE

Measured in anechoic room at 0,1W/0,5m. Loudspeaker mounted on IEC baffle.