

WOOFER GDN 11/35

9 5151 276

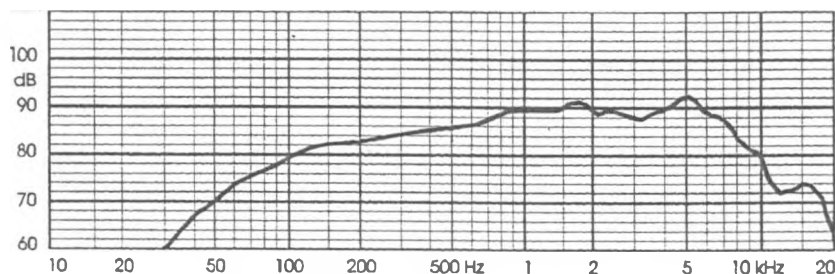
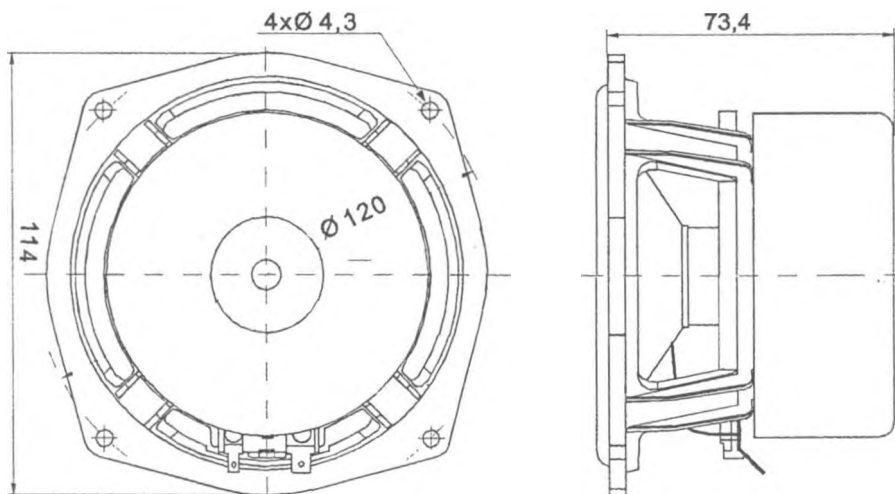
TECHNICAL DATA

Rated impedance	6	Ω
Voice coil resistance	5	Ω
Rated frequency range	130 to 10000	Hz
Resonance frequency	60	Hz
Power handling capacity / enclosure 9 dm ³ , 100 h, continuous /	35	W
Max. power	55	W
Sensitivity	88	dB
Flux density	0,9	T
Energy in air gap	135	mJ
Force factor - B _l	5	Tm
Piston area - S _D	58,1 x 10 ⁻⁴	m ²
Total moving mass - M _{MS}	0,0056	kg
Compliance /loudspeaker unmounted/ - C _{MS}	89,7 x 10 ⁻⁵	m/N
Equivalent box volume - V _{AS}	0,0043	m ³
Quality factor /loudspeaker unmounted/		
- mechanical - Q _{MS}	4,3	
- electrical - Q _{ES}	0,48	
- total - Q _{TS}	0,44	
Air - gap	25/4,6/1	mm
Voice coil height	7.2	mm
Magnet		
- material	ferrite	
- dimensions	2 x 70/32/10	mm
- mass	2 x 0,151	kg
Mass of loudspeaker	0,77	kg

The loudspeaker has a glass fibre cone, a rubber surround, a capton voice coil former and a screened magnet system.

AVAILABLE VERSIONS

- GDN 11/35 6 Ω, catalogue number 9 5151 276 01



FREQUENCY RESPONSE CURVE

Measured in anechoic room at 1W/1m. Loudspeaker mounted in sealed 5 dm³ enclosure.